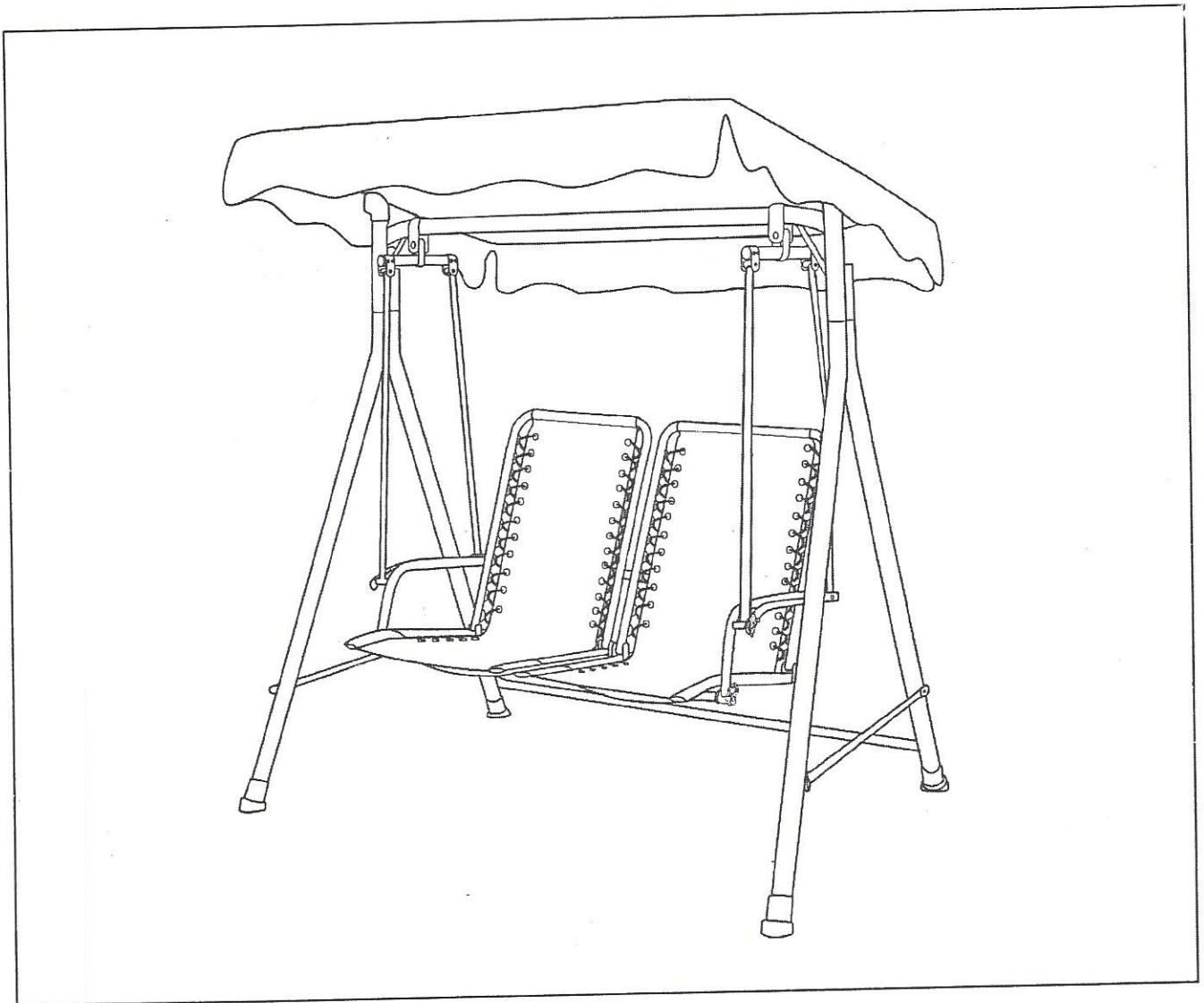


HB ST TROPEZ SWINGING HAMMOCK GREEN

ATTENTION: THIS PRODUCT IS NOT FOR COMMERCIAL USE
INTENDED FOR RESIDENTIAL USE ONLY.

MODEL# RUS4874-2007



⚠ Keep children away during assembly. This item contains small parts which can be swallowed by children.

⚠ Retain the assembly instructions for future reference.

HELPLINE: 084 5077 8888

A. Please read instructions thoroughly. Acquaint yourself with the inventory of parts and the accompanying drawings to ensure safe and proper assembly.

B. You will need the following tools



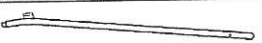
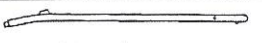










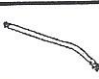
-Phillips Screwdriver 



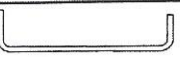



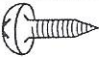








-Nut Wrench(See Part#30) 

-Hex. Key Wrench (See Part#29) 

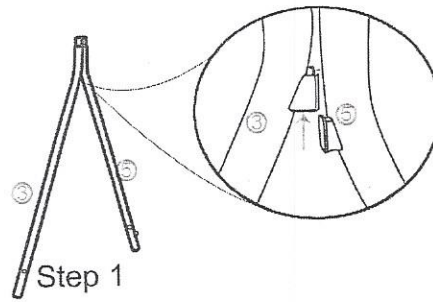
C. Lay out all parts and identify using the table below.

PARTS LIST

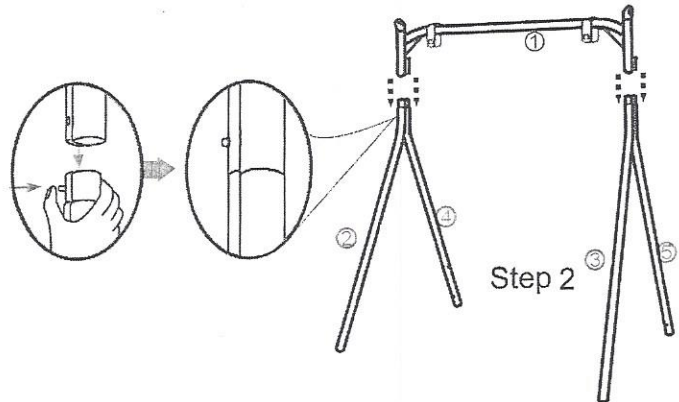
| PART NO. | NAME | PARTS | Q'TY |
|----------|-----------------------------------|---|------|
| 1 | TOP CROSS BEAM W/ADJUSTABLE TEETH |  | 1 |
| 2 | FRONT RIGHT UPRIGHT SUPPORT |  | 1 |
| 3 | FRONT LEFT UPRIGHT SUPPORT |  | 1 |
| 4 | REAR RIGHT UPRIGHT SUPPORT |  | 1 |
| 5 | REAR LEFT UPRIGHT SUPPORT |  | 1 |
| 6 | REAR CROSS-BRACE |  | 1 |
| 7 | LATERAL CROSS-BRACE |  | 2 |
| 8 | BACK SUPPORT BRACE |  | 1 |
| 9 | SEAT SUPPORT BRACE |  | 1 |
| 10 | SEAT ASSEMBLY |  | 1 |
| 11 | SEAT ASSEMBLY |  | 1 |
| 12 | SWING ARM LEFT |  | 1 |
| 13 | SWING ARM RIGHT |  | 1 |
| 14 | ARM TUBE LEFT |  | 1 |
| 15 | ARM TUBE RIGHT |  | 1 |

| PART NO. | NAME | PARTS | Q'TY |
|----------|------------------------------|---|------|
| 16 | SWING ARM TUBE ASSEMBLY |  | 2 |
| 17 | FRONT/REAR CANOPY BRACE |  | 2 |
| 18 | SIDE CANOPY BRACE |  | 2 |
| 19 | LEG CAP |  | 4 |
| 20 | (BIG)WASHER d13*D32*2.0 |  | 2 |
| 21 | (SMALL)WASHER d13*D24*1.5 |  | 2 |
| 22 | SCREW ST4.2*12 |  | 4 |
| 23 | PLASTIC SCREW |  | 2 |
| 24 | CANOPY/FRAME CONNECTOR |  | 2 |
| 25 | STEEL WASHER |  | 4 |
| 26 | BOLT M8*45 |  | 2 |
| 27 | NUT M8*1.25 |  | 2 |
| 28 | CANOPY |  | 1 |
| 29 | HEX.KEY WRENCH 6MM |  | 1 |
| 30 | NUT WRENCH 10&13MM |  | 1 |

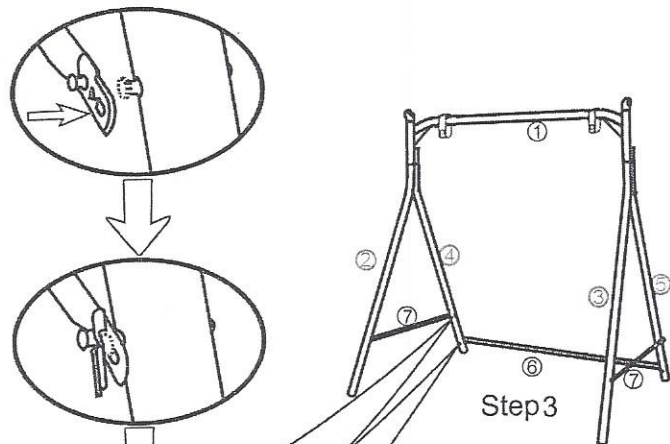
Step 1: Align the upright supports. Insert the rear left upright support (#5) into the front left upright support (#3). Do the same procedure for the other side (#2, #4). See Figure A-Step 1.



Step 2: Attach the top cross beam (#1) into both ends of the upright supports. Make sure that the spring buttons on the rear upright supports (#4, #5) come through the holes on the top cross beam (#1). See Figure A-Step 2.



Step 3: Fasten the lateral cross brace (#7) to the upright supports (#2, #3, #4 and #5) for both sides. Lock the rear cross braces (#6) to the rear upright supports. See Figure A-Step 3.



NOTE: The labels marked "2, 3, 4, 5" on the upright supports should coincide with the number of them in the parts list to ensure proper assembly.

Step 4: Insert the leg caps (#19) to all of the base feet. See Figure A-Step 4.

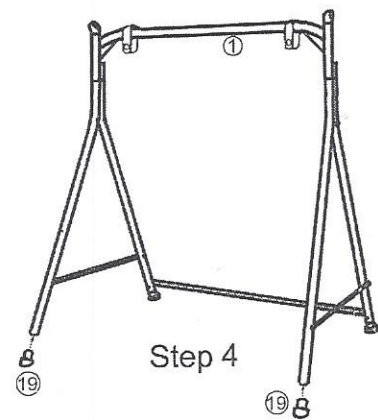


Fig. A

Step 5: Place the seat assembly (#10) on a non-abrasive surface, such as a carpet, with the underside facing up.

Step 6: Insert the back support brace (#8) and the seat support brace (#9) into the seat assembly (#10). See Figure B-Step 1.

Step 7: Now insert back and seat support braces (#8, #9) into the other seat assembly (#11) with the safety button. See Figure B-Step 2.

NOTE: The safety button attached on the seat assembly (#11) must be positioned in the middle of the two seat assemblies.

Step 8: Make sure to lock the safety button attached on the seat assembly (#11) to the other seat assembly (#10). See Figure B-Step 3.

NOTE: The labels marked "8, 9" on the back and seat support braces (#8, #9) should coincide with the number of them in the parts list to ensure proper assembly.

NOTE: The label marked "10, 11" on the seat assemblies (#10, #11) should coincide with the number of them in the parts list to ensure proper assembly.

Step 9: Attached both swing arms (#12, #13) onto the back and seat support braces (#8, #9). Use the fasteners on the swing arms to lock them. See Figure C.

WARNING: When swing is in use, the fastener should be completely locked, and always don't move the fastener by hand.

Step 10: Attach the swing arm tube assemblies (#16) to the seat arms and back support brace (#12, #13 and #8). Between the seat arm and the swing arm tube a big washer (#20) must be used at the rear end. Also, a small washer (#21) should be used at the middle position. See Figure D.

NOTE: The front end of the plastic washers attached on the swing arm tube (#16) must face the outside. See Illustration A-Figure D.

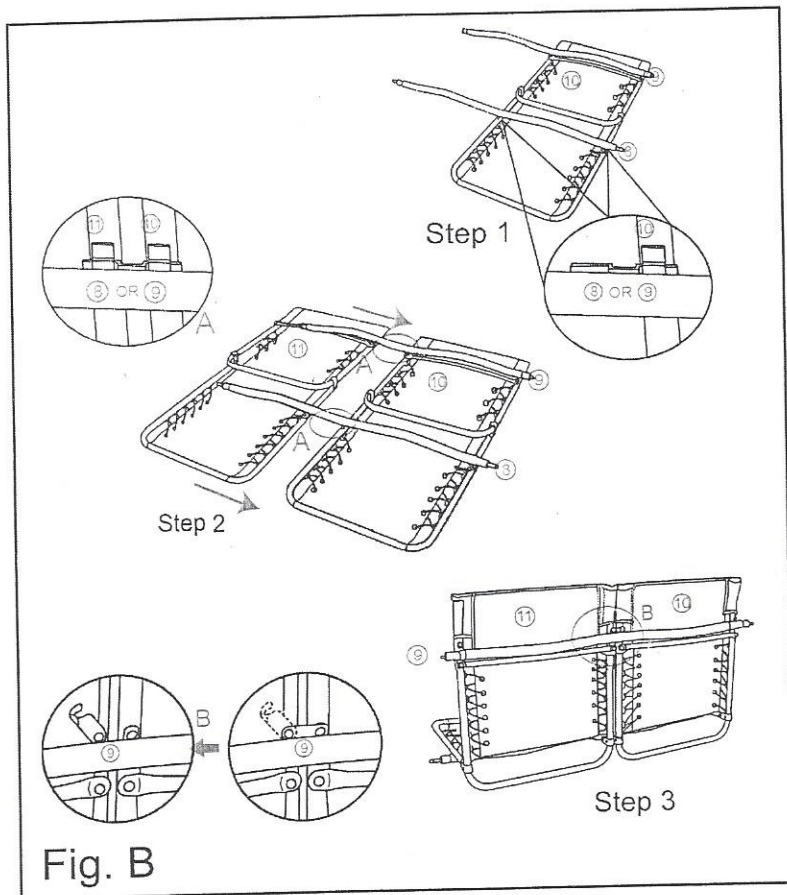


Fig. B

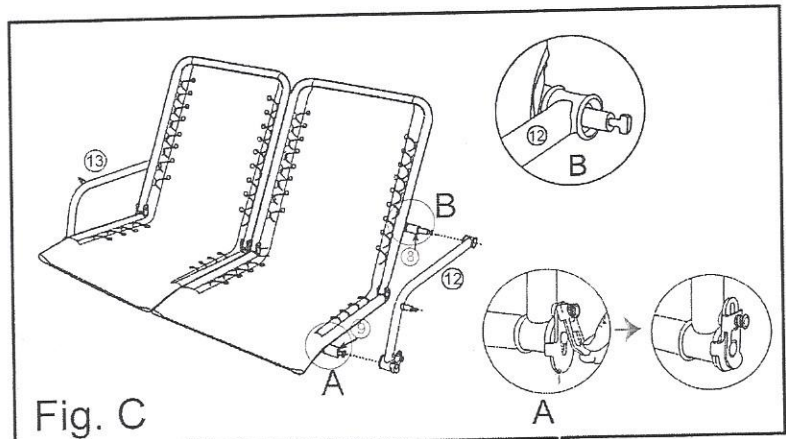


Fig. C

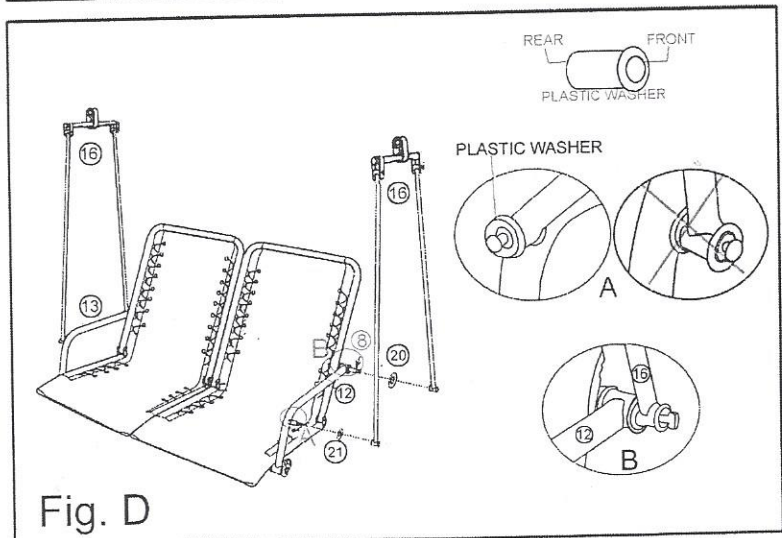


Fig. D

Step 11: Attach the rear end of the arm tube left (#14) to the seat arm left (#12). See Illustration A-Figure E. Attach the front end of the arm tube left (#14) to the arm left. See Illustration B-Figure E. Do the same procedures for the arm tube right (#15). See Figure E.

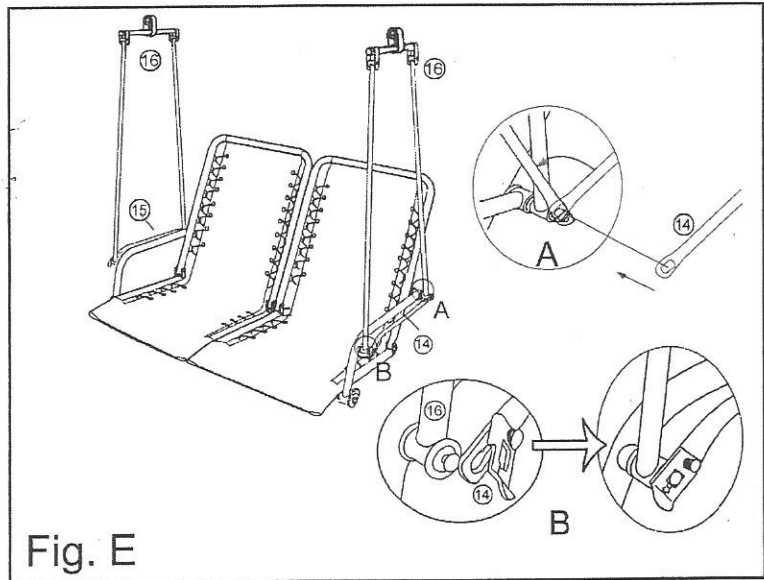


Fig. E

Step 12: Fasten the top cross beam(#1) and the swing arm tube assembly(#16) using bolts(#26), washers(#25) and nuts(#27). See Figure F.

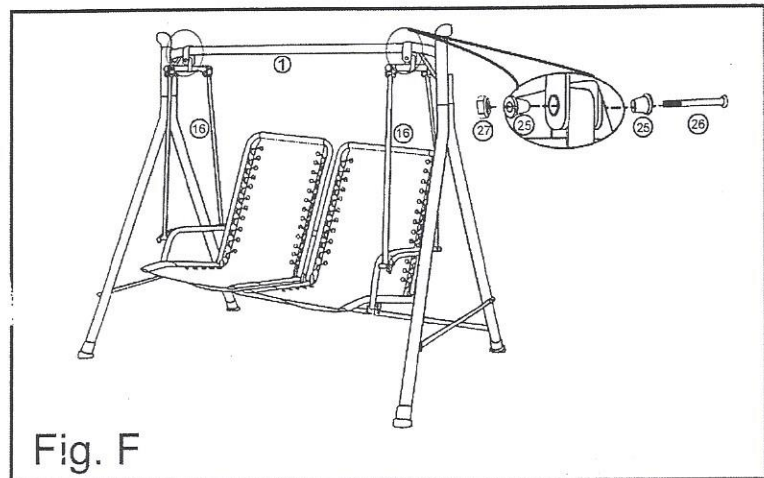


Fig. F

Step 13: Insert the U-shaped side canopy brace (#18) into the canopy frame connector (#24) using screws (#22). Please make sure that the teeth of the canopy frame connectors are facing towards the inside. See Figure G-Step 1, 2.

Step 14: Insert the front and rear canopy braces (#17) into the sleeves of the canopy (#28). See Figure G-Step 3.

Step 15: Attach the front and rear canopy tube ends (#17) into the U-shaped side canopy braces (#18). See Figure G-Step 4.

Step 16: Place the corners of the U-shaped side canopy braces (#18) into the pockets of the canopy (#28). See Figure G-Step 5.

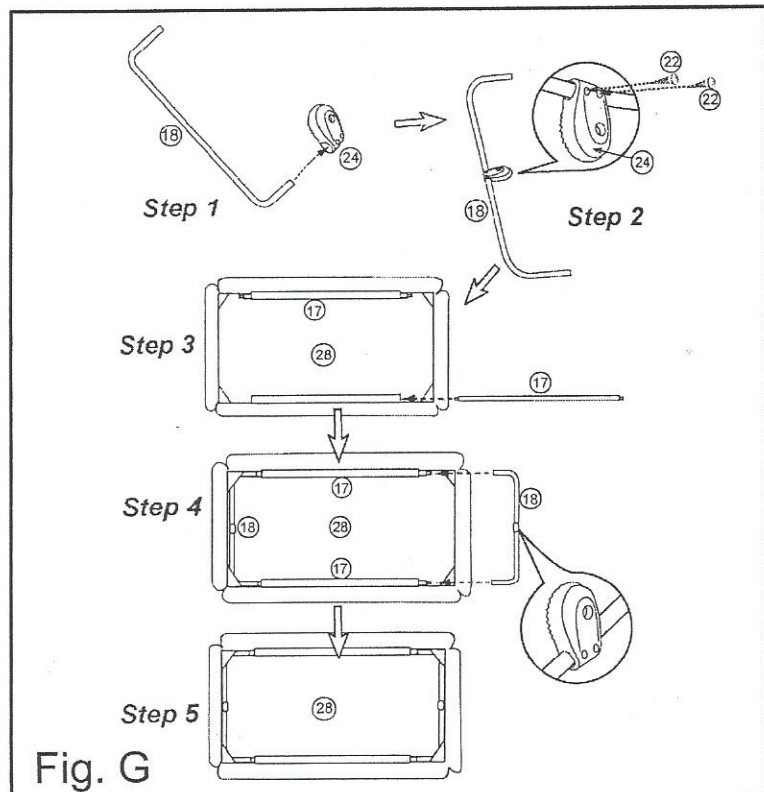
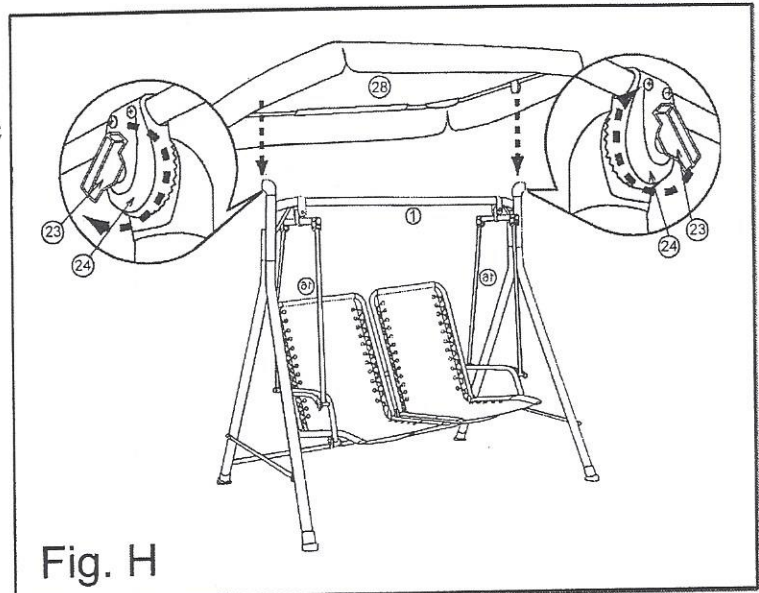


Fig. G

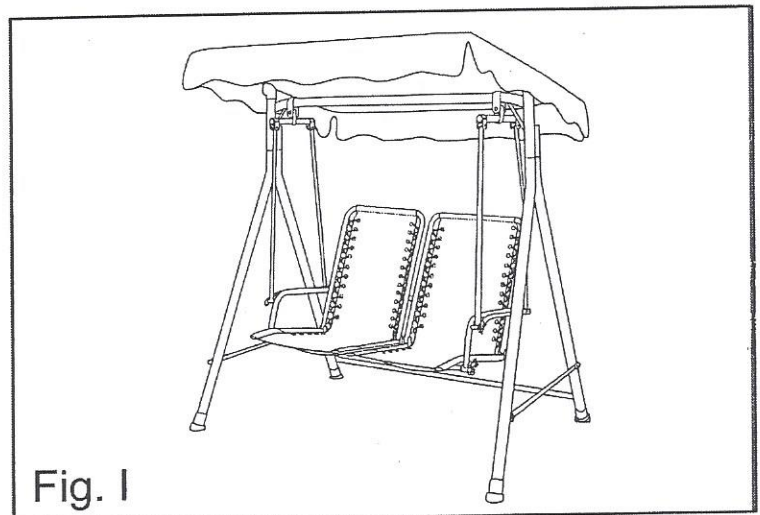
Step 17: Attach the canopy assembly onto the adjustable teeth located on both sides of the top cross beam (#1) using plastic screws (#23) with the canopy frame connectors (#24). See Figure H.

NOTE:

To avoid danger of suffocation, please always keep plastic bags or small parts away from babies and children.



CONGRATULATIONS!!



Cleaning and Maintenance

- Wash frame parts with mild soap and water, rinse thoroughly. Dry frame completely. Do not use bleach, acid or other solvents on the fabric or frame parts.
- We recommend the use of furniture covers to protect your swing when not in use.
- Please inspect and tighten all bolts or fasteners on a regular basis to ensure proper performance and safety of your swing.
- In order to prolong the life and beauty of your swing, we recommend that the swing be stored in a dry and protected area during off season periods.

Special Warnings

- The user of this swing should always inspect it before each use.
- It is essential to place the swing on level ground and not less than six feet from any obstruction, such as fences, garages, house, overhanging branches, laundry lines or electrical wires.
- Check the tightness of nuts and bolts on a regular basis.
- Remove the canopy in heavy wind conditions; otherwise, the canopy may tip over and cause damage to its parts.
- The manufacturer will not accept responsibility for unauthorized repairs or modifications made to the swing.
- Weight limit is 220kg (500lbs).

Retain the assembly instructions for future reference, in case the swing is disassembled for storage or to move to another location.