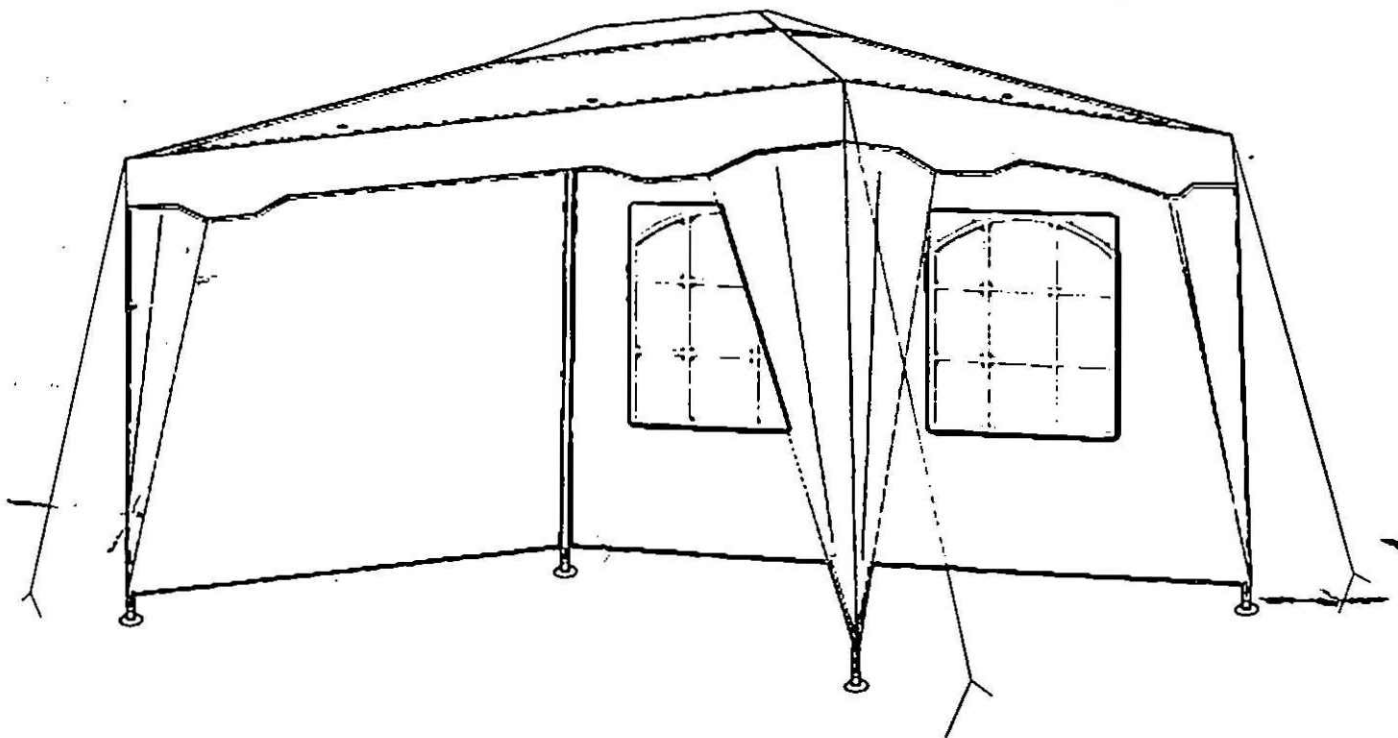


3x4M GAZEBO With 2 Side Panels

Simple Assembly Instructions -Please keep for future reference

650/9842



Dimensions

Width - 300cm
Depth - 400cm
Height - 260cm

Important - Please read these instructions fully before starting assembly

If you need help or have damaged or missing parts, call the Customer Helpline: 08456 400 800



IMPORTANT SAFETY INSTRUCTIONS

Read all instruction before using and keep for future reference

- Read these instructions carefully and familiarise yourself with the procedure before assembling the unit.
- Check that you have all the component parts following the list on the page 3 and familiarise yourself with each part before proceeding.
- Take all the fittings out of the plastic bag and separate them into their groups.
- Ensure you have enough space to lay out all the parts before assembly.
- To avoid scratching it is recommended that you assemble the unit on a soft level surface.
- Please keep children away when assembly. Please keep children under direct supervision of adult when using.
- Please do not use the gazebo under windy condition.
- Always use guy rope and pegs to secure the gazebo when using.
- This Gazebo is not water proof, but is shower proof.
- This Gazebo is not a permanent structure and should be disassembled and stored away after using.
- Do not repack your Gazebo until completely dry.
- We recommend assembly by two persons under light or no wind conditions.
- This Gazebo must not be left erect in windy conditions.
- Keep the Gazebo Fabric away from screws, nails, staples, hooks, etc to avoid damage to the fabric and frame.

CAUTION

Fire Precautions

- Do not place the Gazebo near lights, fireplaces, gas or electric heaters, candles, radiators, or any other sources of heat, fire or flammable liquids.
- This Gazebo features a Fabric cover that is not flame retardant.
- we recommend caution and common sense when in use.
- This Gazebo can burning.
- Do not use naked flames in or around the Gazebo. We recommend you advise no smoking while inside.
- This Gazebo has no flame retardant cooking area and should not be use to house BBQs or other cooking methods.

Safety

- To avoid any risks of suffocation to animals or children dispose of the plastic bags immediately.

Cleaning

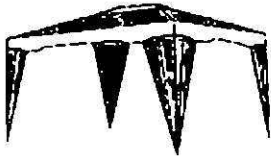
- As with all surfaces clean with a damp cloth and mild detergent, do not use bleach or abrasive products.

Components-Parts

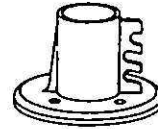
If you have damaged or missing components, call the customer Helpline: 08456 400 800

Please check you have all the parts listed below

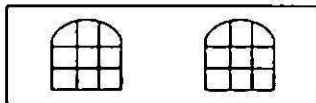
A 1xGazebo Cover



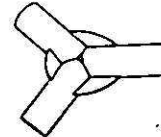
D 4xBase Plate



B 1xPanel w/window



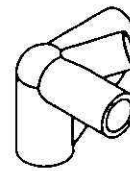
E 2xCentre Connector



C 1xPanel w/o window



F 4xCorner Joint



1 4 x Top Pole (Φ 19x1080mm)



1A 4 x Top Pole (Φ 19x1080mm)



5 4 x Top Pole (Φ 16x800mm)



5A 4 x Top Pole (Φ 16x800mm)



0 1x Top Pole (Φ 19x975mm)



2 8 x Support Pole (Φ 25x1000mm)



2A 4 x Support Pole (Φ 25x1000mm)



2B 2 x Supplemental Pole (Φ 25x1060mm)



3 4 x Leg Pole (Φ 32x1060mm)



4 4 x Leg Pole (Φ 32x1000mm)



Components - Fittings

Please check you have all the fittings listed below

Note: The quantities below are the correct amount to complete the assembly. In some cases more fittings may be supplied than are required.

G 8xPeg



H 4 xGuy Rope



I 14xCurtain Ring



J 6xCanopy ties



Assembly Instructions

Stage 1 - Fitting the Support Poles

Step 1

Insert Support Pole ② into the Support Poles ②. Meanwhile, insert Support Pole ② into Support Pole ②. ① Ensure all the poles are fully inserted and secure. See fig. 1 & 2

IMPORTANT: Because of the size of this unit we recommend that it is built in the place intended for using

NOTE: Locate the unit on the flat Ground free from obstruction, in a sheltered area away from wind and heavy rain as this will damage the unit.

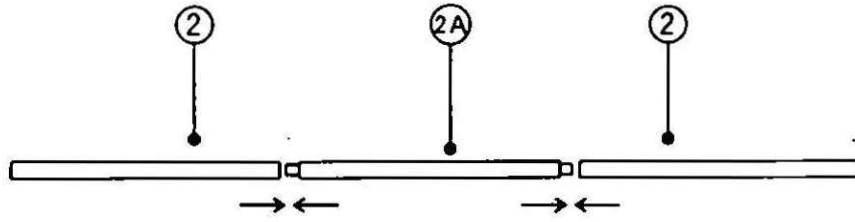


fig. 1

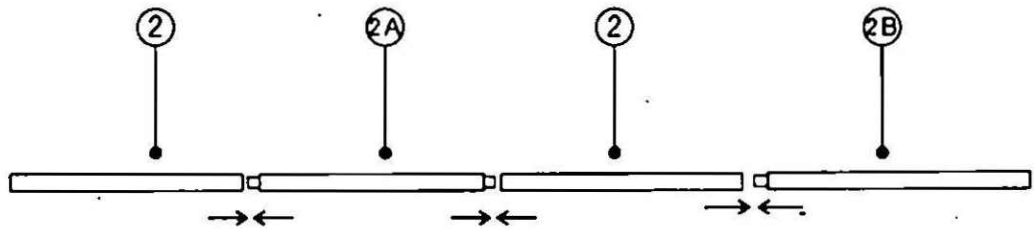


fig. 2

Step 2

Use Corner Joints ⑥ to connect the Support Poles. Ensure all the poles are fully inserted and Secure. See fig. 3.

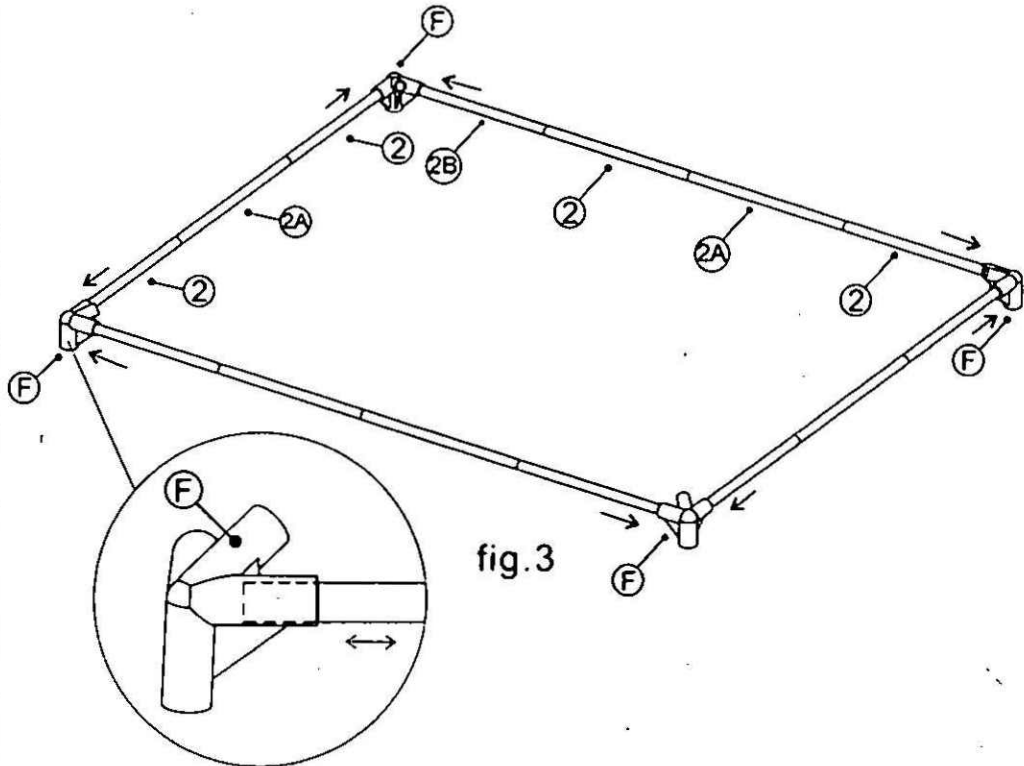


fig. 3

Assembly Instructions

Stage 2 - Fitting the Top Poles

Step 3

Insert Top Poles 1A into the Top Poles 1. Meanwhile insert Top Poles 5A into the Top Poles 5. Ensure all the poles are fully inserted and secure. See fig. 4 & 5

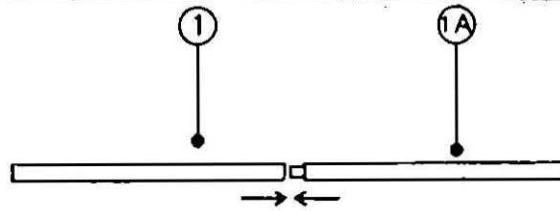


fig. 4

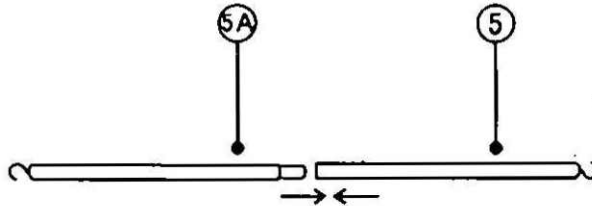


fig. 5

Step 4

Connect the Top Poles 1 & 1A to Corner Joint F and Centre Connector E, then put Tube D into Centre Connector E ensuring all poles are fully pushed into joints. See fig. 6.

Use hooks provided at the end of pole 3 and pole 5A connecting pole 2-2 as well as 2A-2A. See fig. 6.

NOTE: It would be useful to ask someone to help you at this step.

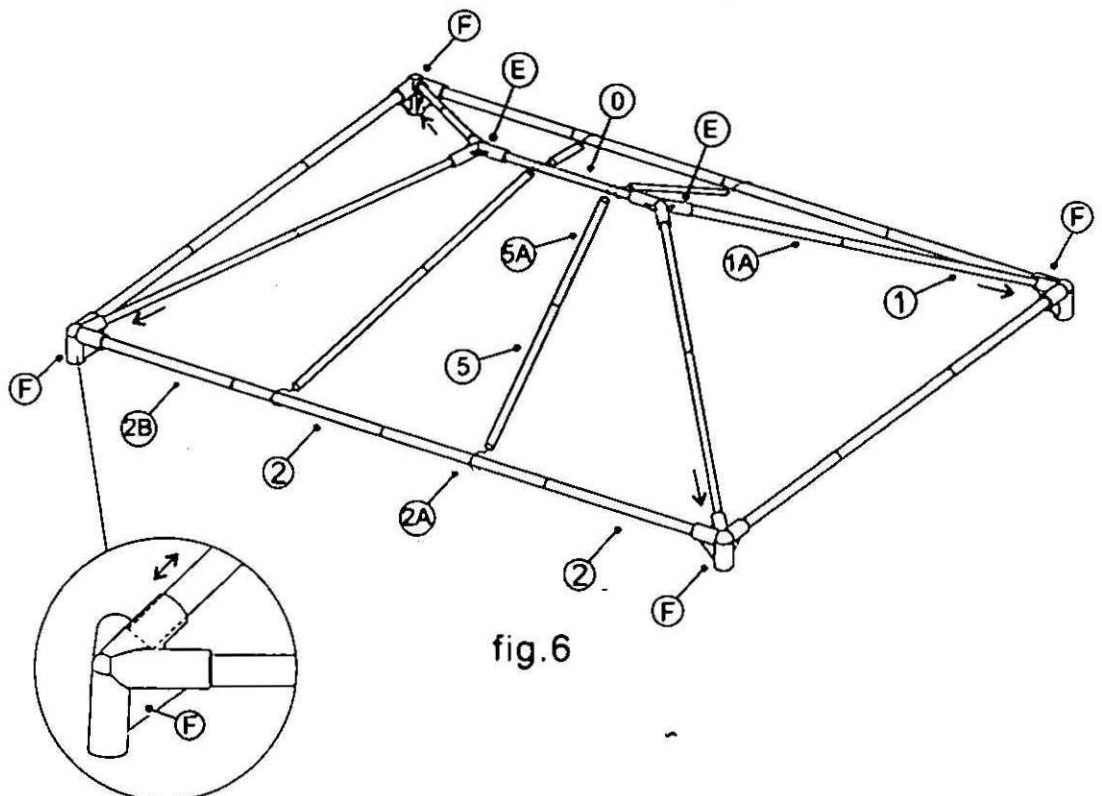


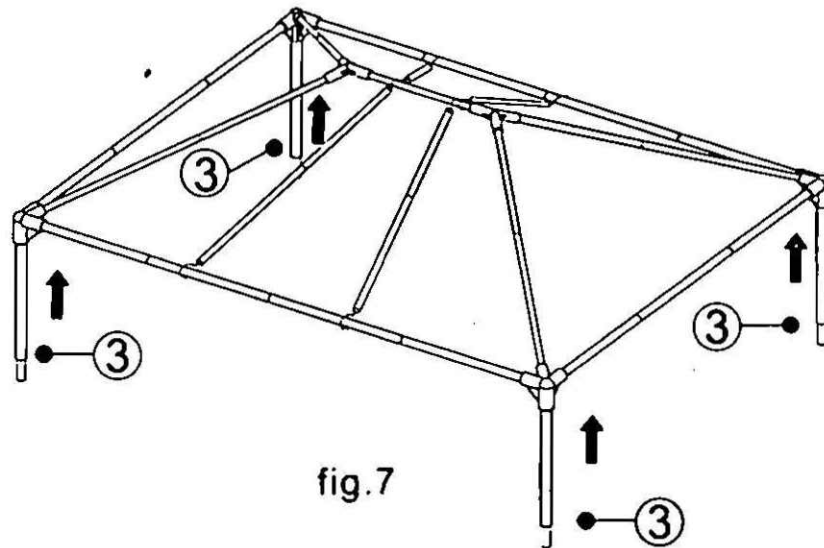
fig. 6

Assembly Instructions

Stage 3 - Fitting the Gazebo

Step 5

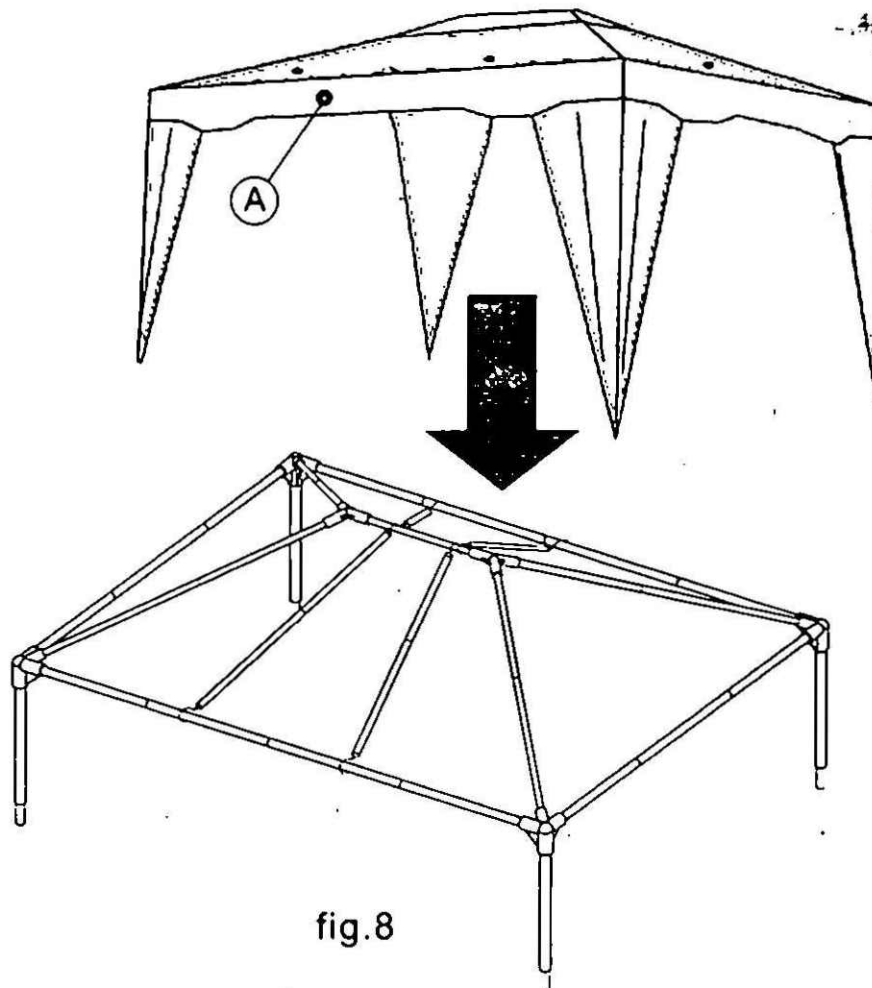
Insert Leg Poles ③ into the unit. Ensure all the poles are fully inserted and secure. See fig 7.



Step 6

Carefully place the Gazebo Cover ④ over the assembled roof. Then pull the Gazebo tightly over the assembled roof frame. See fig . 8.

NOTE: It would be useful to ask someone to help you at this step.

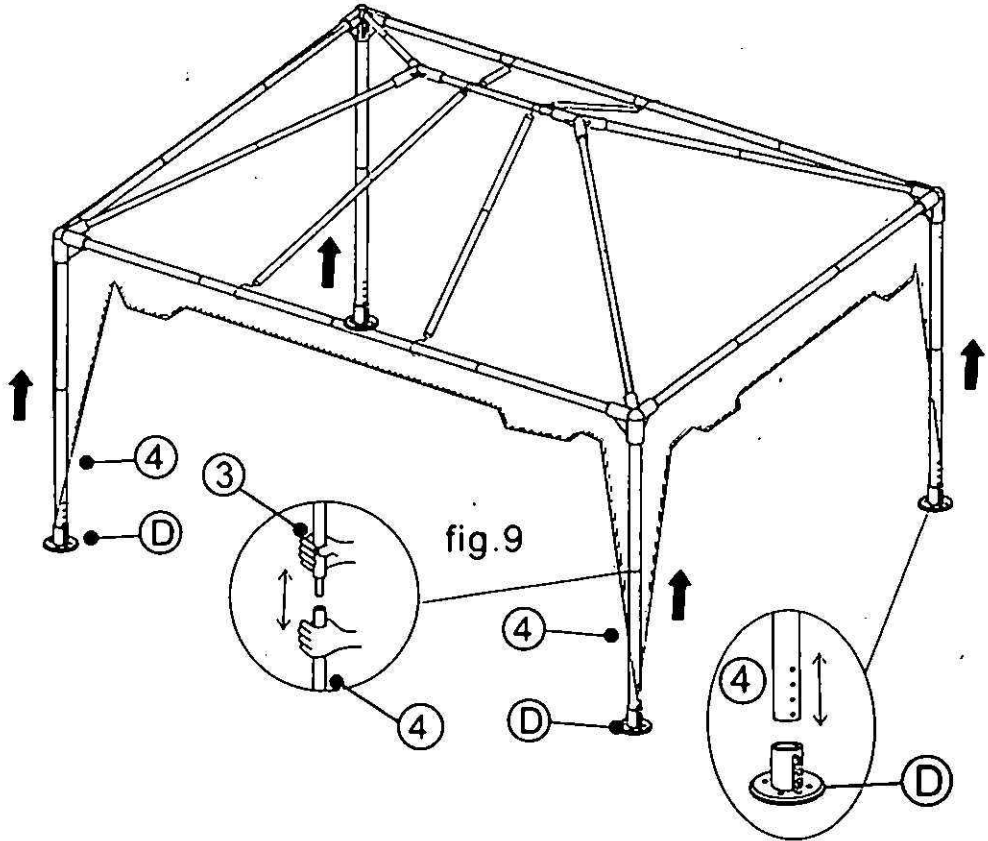


Assembly Instructions

Stage 4 - Fitting the Legs

Step 7

Insert the Base Plates (D) into the Leg Poles (4). Then insert the Leg Poles (3) into the unit. Ensure all the poles are fully inserted and secure. See fig. 9.

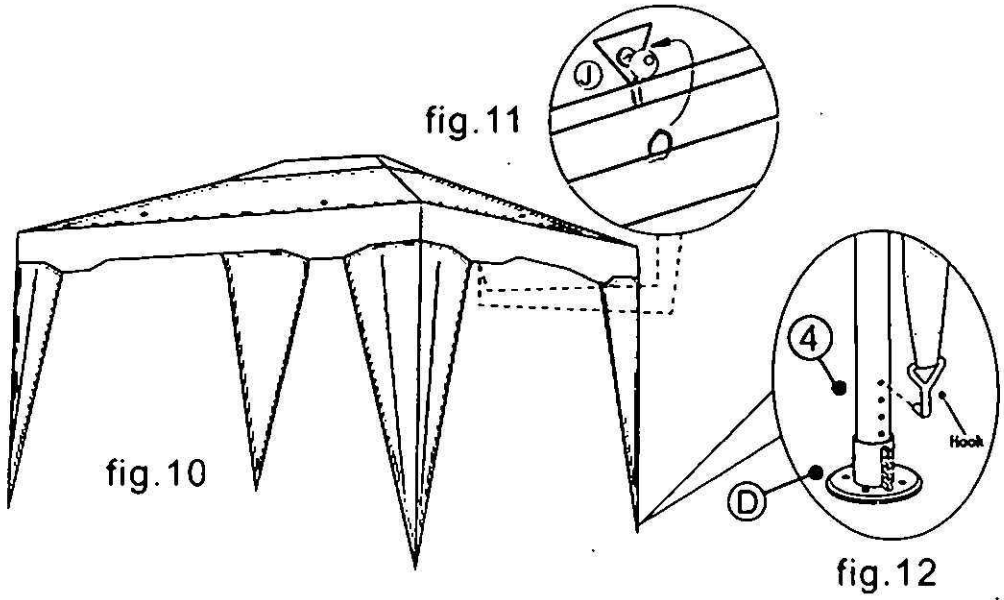


Step 8

Use the canopy tie (C) to fix the gazebo cover onto the assembled frame. See fig. 11.

Attach the Gazebo Cover's Hooks into holes on the Leg Poles (4). Tighten by moving the Hook to a lower hole. See fig. 12.

NOTE: It would be useful to ask someone to help you at this step.



Assembly Instructions

Stage 5 - Fitting the Guy Ropes

Step 9

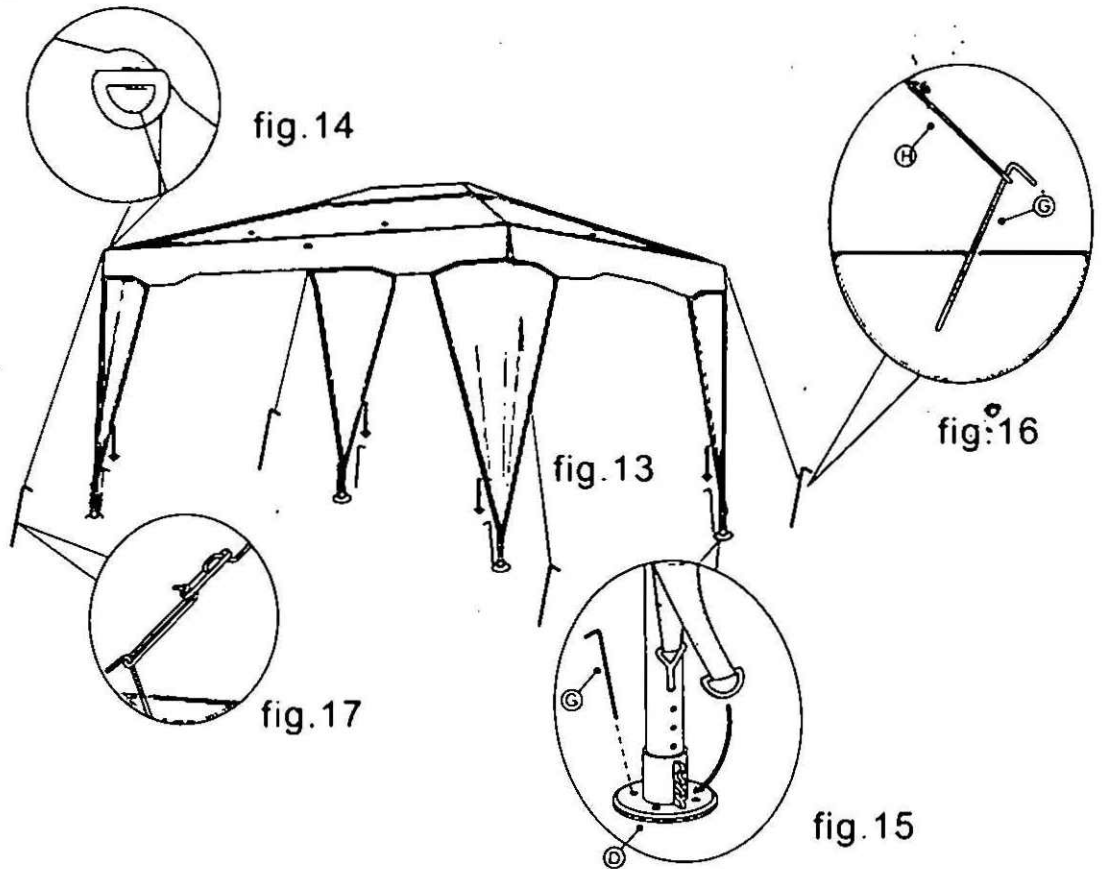
Attach the D ring into the Base Plates (D). Then use Pegs (E) to fix the Base Plates (D) into the ground. See fig. 14 and 15.

Attach the end of the Guy Rope (F) to the corner of the top cover ring on the Gazebo. Then attach one end of the Peg and drive the Peg into the ground. See fig. 13, 14 and 16.

Use the Same method as in fig. 12 to fix the other Guy Ropes.

The length of Guy Ropes can be adjusted. See fig. 17.

NOTE: The pegs are for location purposes only. They will not support the unit in high winds, see above instructions.



Stage 6 - Finishing the Unit

Step 10

CAUTION: Do not assemble or disassemble during strong winds.

Attach the Panels both (B) and (C) at the top using the Curtain Ring (1). secure the Panels to the Gazebo legs by Velcro Tapes at side. See fig. 19, 20 and 21.

Drainage holes prevent rain water collecting. See fig. 18.

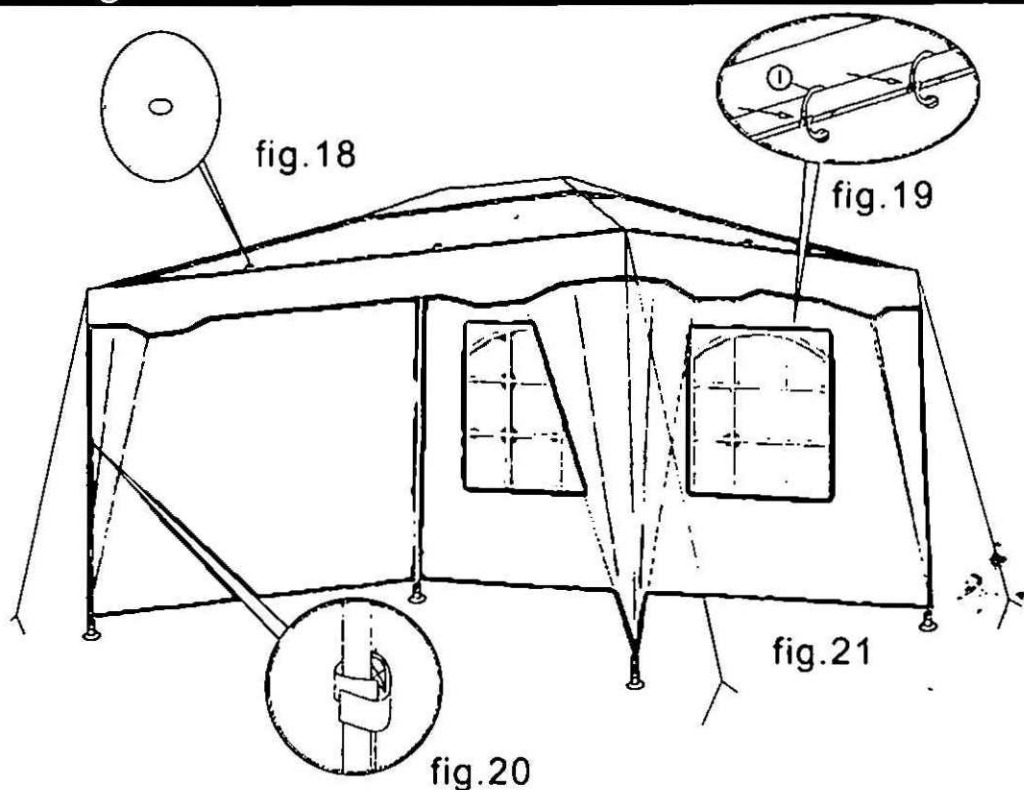
Assembled one is shown as right. See fig. 21.

Assemble is complete.

NOTE: It would be useful to ask someone to help you at this step.

IMPORTANT:

Always use this product with caution and read the important safety instructions.



If you need help or have damaged or missing parts, call the Customer Helpline: 08456 400 800
Retailer: Argos
Address: 489-499 Avebury Boulevard Saxon Gate West Central Milton Keynes Bucks, MK9 2NW