

Arran Gazebo - 2.7x2.7M

Simple Assembly **Instructions** - Please **keep** for future reference

98655



Dimensions

Width - 270cm
Depth - 270cm
Height - 250cm

Important - Please read these instructions fully before starting assembly

If you need help or have damaged or missing parts, call the Customer Helpline: 08450 778 888



IMPORTANT SAFETY INSTRUCTIONS

Read all instruction before using and keep for future reference

- Read these instructions carefully and familiarise yourself with the procedure before assembling the unit.
- Check that you have all the component parts following the list on the page 3 and familiarise yourself with each part before proceeding.
- Take all the fittings out of the plastic bag and separate them into their groups.
- Ensure you have enough space to lay out all the parts before assembly.
- To avoid scratching it is recommended that you assemble the unit on a soft level surface.
- Please keep children away when assembly. Please keep children under direct supervision of adult when using.
- Please do not use the gazebo under windy condition.
- Always use guy rope and pegs to secure the gazebo when using.
- This Gazebo is not water proof, but is shower proof.
- This Gazebo is not a permanent structure and should be disassembled and stored away after using.
- Do not repack your Gazebo until completely dry.
- We recommend assembly by two persons under light or no wind conditions.
- This Gazebo must not be left erect in windy conditions.
- Keep the Gazebo Fabric away from screws, nails, staples, hooks, etc to avoid damage to the fabric and frame.



CAUTION

Fire Precautions

- Do not place the Gazebo near lights, fireplaces, gas or electric heaters, candles, radiators, or any other sources of heat, fire or flammable liquids.
- This Gazebo features a Fabric cover that is not flame retardant.
- we recommend caution and common sense when in use.
- This Gazebo can burning.
- Do not use naked flames in or around the Gazebo. We recommend you advise no smoking while inside.
- This Gazebo has no flame retardant cooking area and should not be use to house BBQs or other cooking methods.

Safety

- To avoid any risks of suffocation to animals or children dispose of the plastic bags immediately.

Cleaning

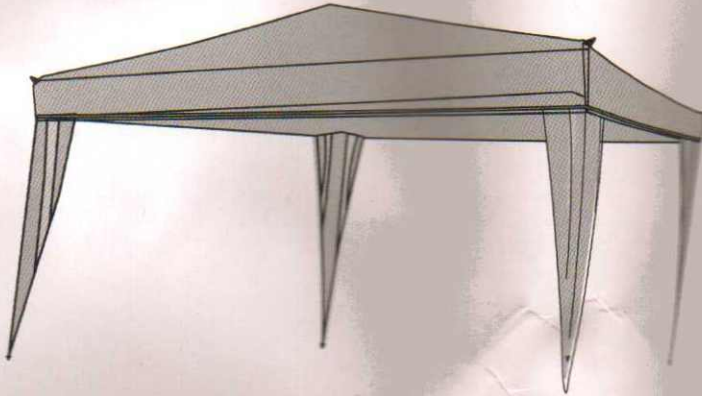
- As with all surfaces clean with a damp cloth and mild detergent, do not use bleach or abrasive products.

Components-Parts

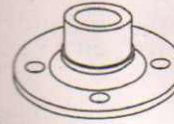
If you have damaged or missing components, call the customer Helpline: 08450 778 888

Please check you have all the parts listed below

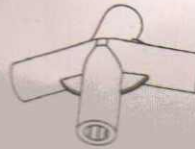
A 1xGazebo Cover



B 4xBase Plate



C 1xCenter Connector



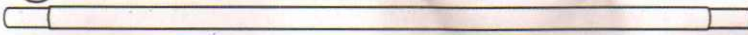
D 4xCorner Joint



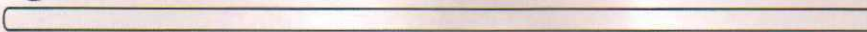
1 8 x Top Pole ($\Phi 19 \times 565 \text{mm}$)



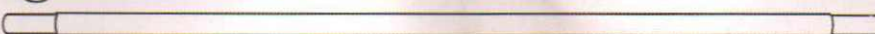
1A 4 x Top Pole ($\Phi 19 \times 688 \text{mm}$)



2 8 x Support Pole ($\Phi 19 \times 810 \text{mm}$)



2A 4 x Support Pole ($\Phi 19 \times 810 \text{mm}$)



3 4 x Leg Pole ($\Phi 19 \times 688 \text{mm}$)



3A 4 x Leg Pole ($\Phi 19 \times 688 \text{mm}$)



4 4 x Leg Pole ($\Phi 19 \times 688 \text{mm}$)



Components - Fittings

Please check you have all the fittings listed below

Note: The quantities below are the correct amount to complete the assembly. In some cases more fittings may be supplied than are required.

E 8xPeg



F 4xGuy Rope



Assembly Instructions

Stage 1 - Fitting the Support Poles

Step 1

Insert Support Poles ② into the Support Poles ②. Ensure all the poles are fully inserted and secure. See fig. 1.

IMPORTANT: Because of the size of this unit we recommend that it is built in the place intended for using

NOTE: Locate the unit on flat Ground free from obstruction, in a sheltered area away from wind and heavy rain as this will damage the unit.

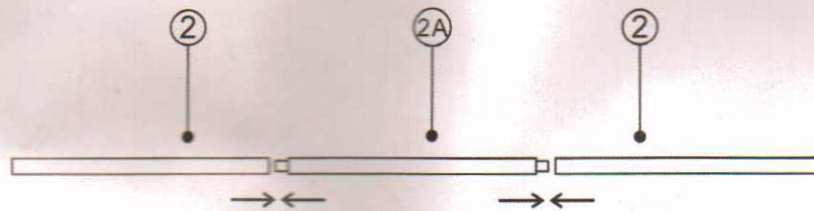


fig. 1

Step 2

Use Corner Joints ④ to connect the Support Poles. Ensure all the poles are fully inserted and secure. See fig. 2.

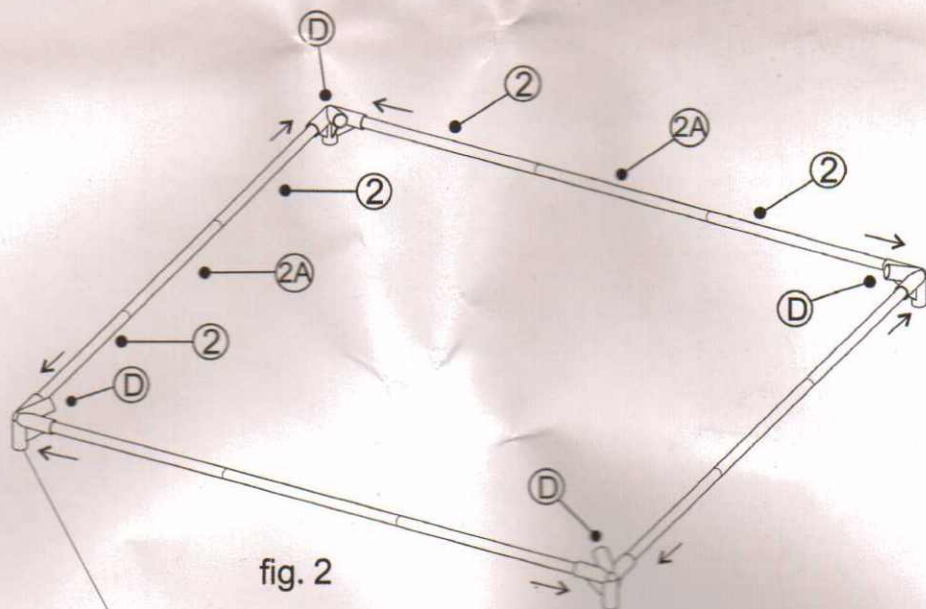
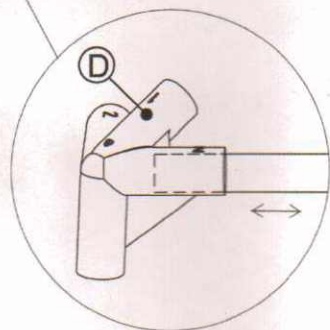


fig. 2

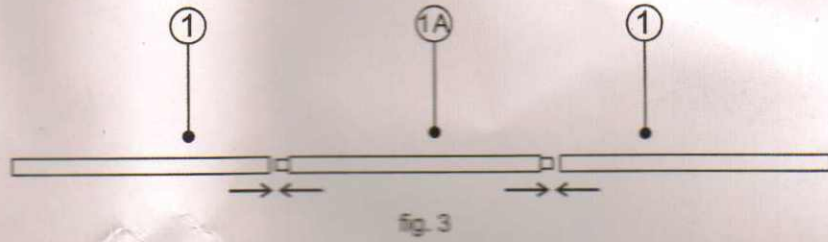


Assembly Instructions

Stage 2 - Fitting the Top Poles

Step 3

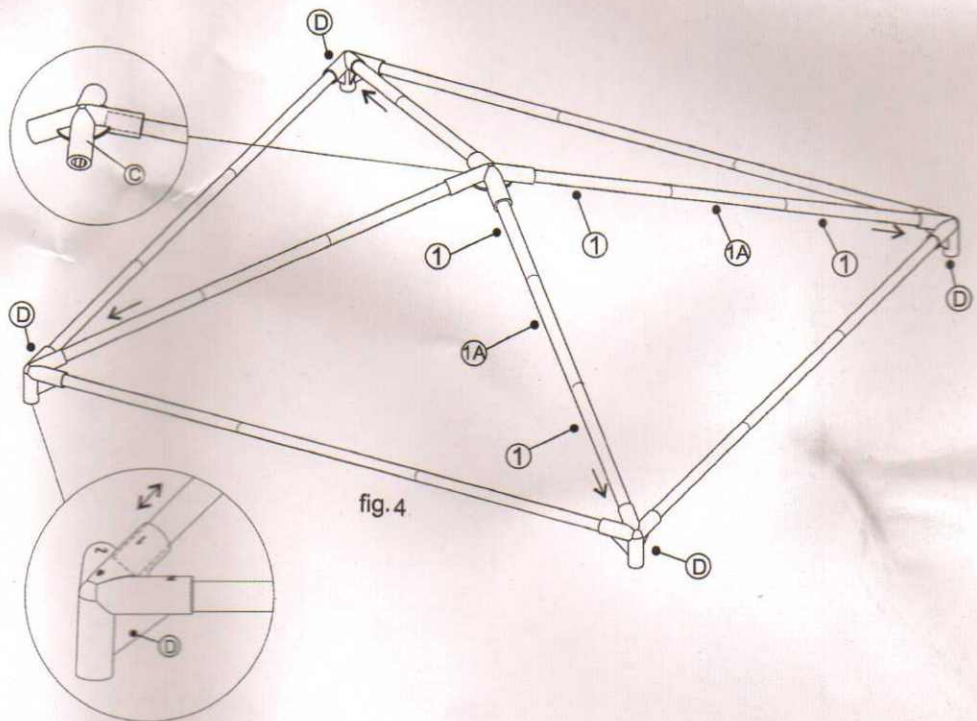
Insert Top Poles 1A into the Top Poles 1. Ensure all the poles are fully inserted and secure. See fig. 3.



Step 4

Connect the Top Poles to Corner Joints D and Centre Connector C. See fig.4.

NOTE: It would be useful to ask someone to help you at this step.



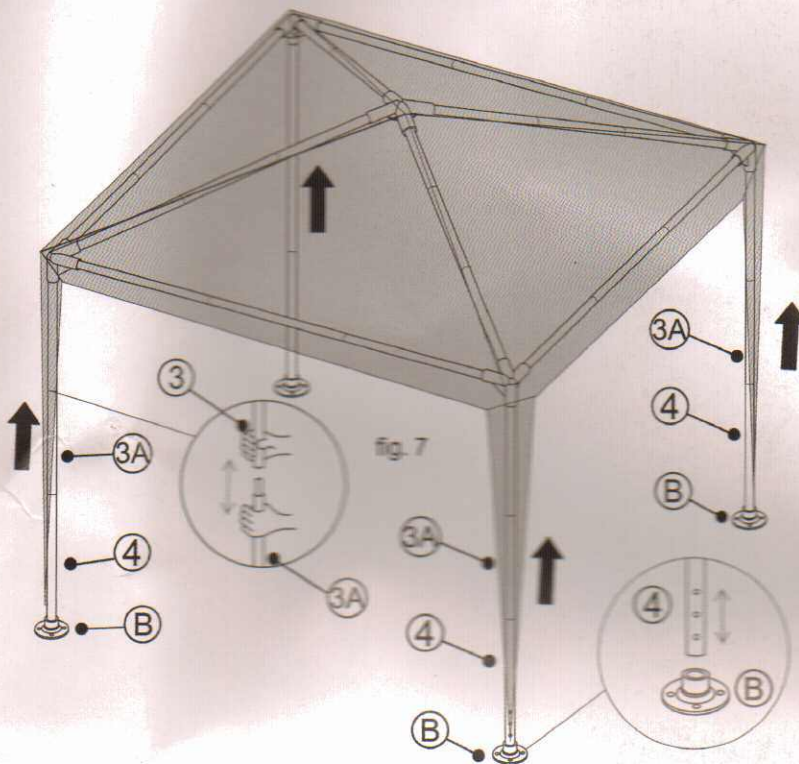
Assembly Instructions

Stage 4 - Fitting the Legs

Step 7

Insert the Plate **B** into the Leg Pole **4** Connected to the Leg Pole **3A**. Then insert the whole Connected Leg Poles into the unit. Ensure all the poles are fully inserted and secure. See fig 7.

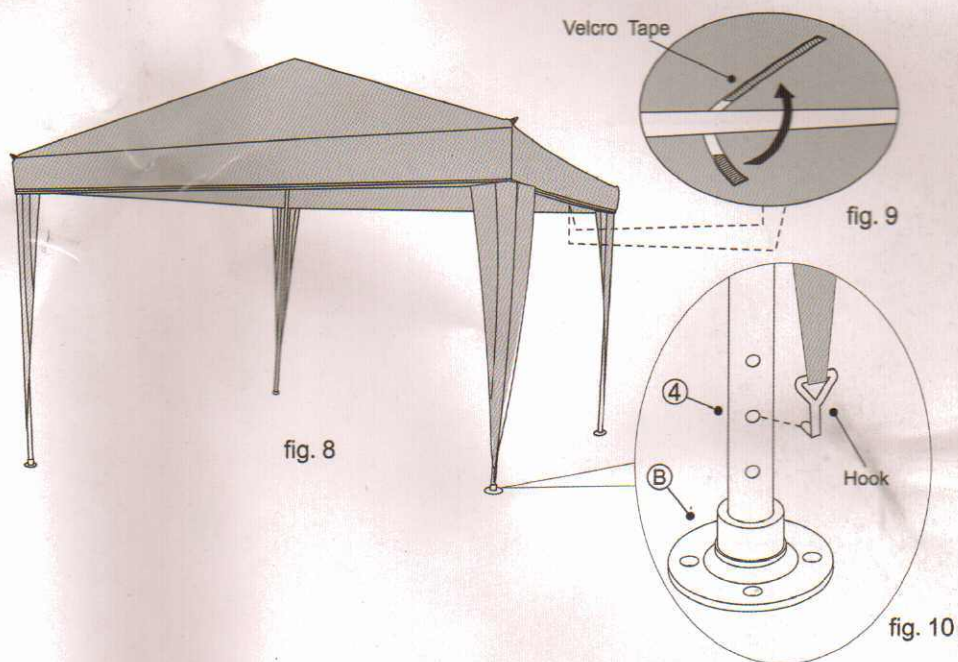
NOTE: It would be useful to ask someone to help you at this step.



Step 8

Use the Velcro Tapes inside the Gazebo Cover to fix it onto the assembled Frame. See fig 8 & 9.

Attach the Gazebo Cover's Hooks into holes on the Leg Poles **4**. Tighten by moving the Hook to a lower hole. See fig. 10.



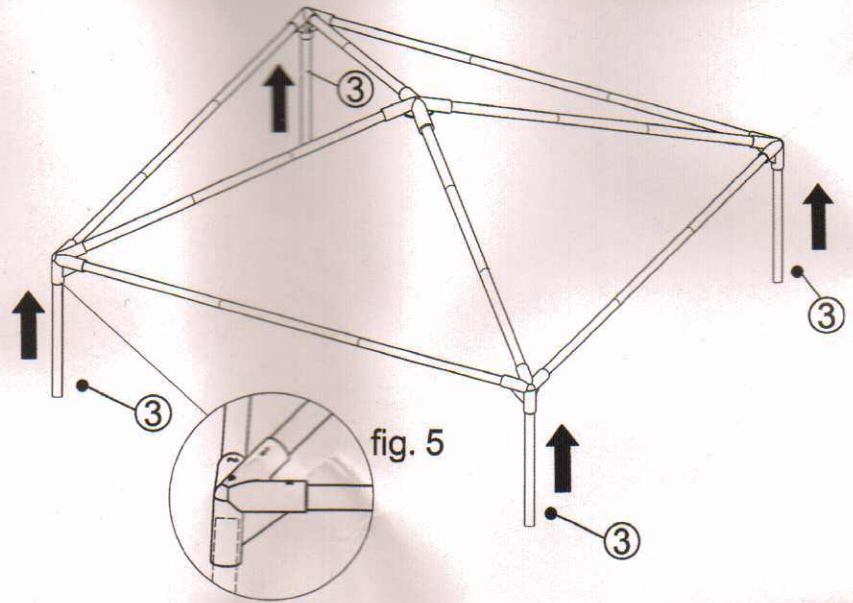
Assembly Instructions

Stage 3 - Fitting the Gazebo

Step 5

Insert Leg Poles ③ into the unit. Ensure all the poles are fully inserted and secure. See fig. 5.

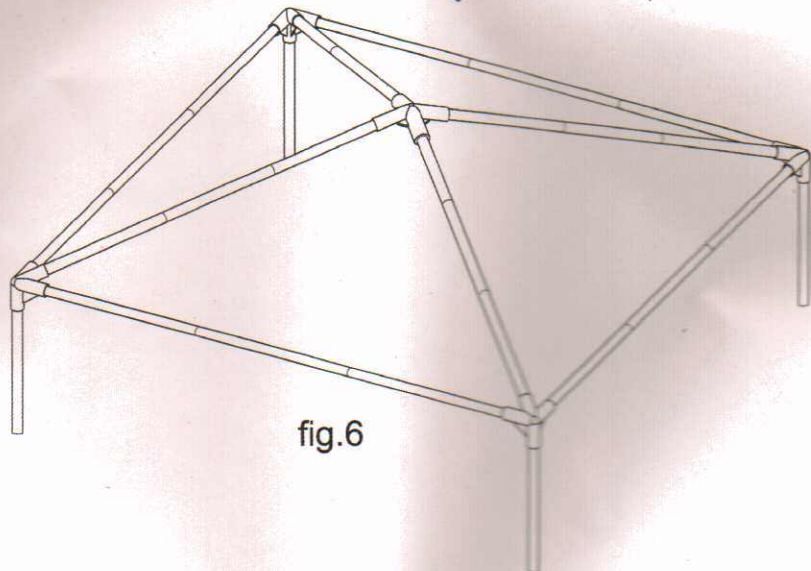
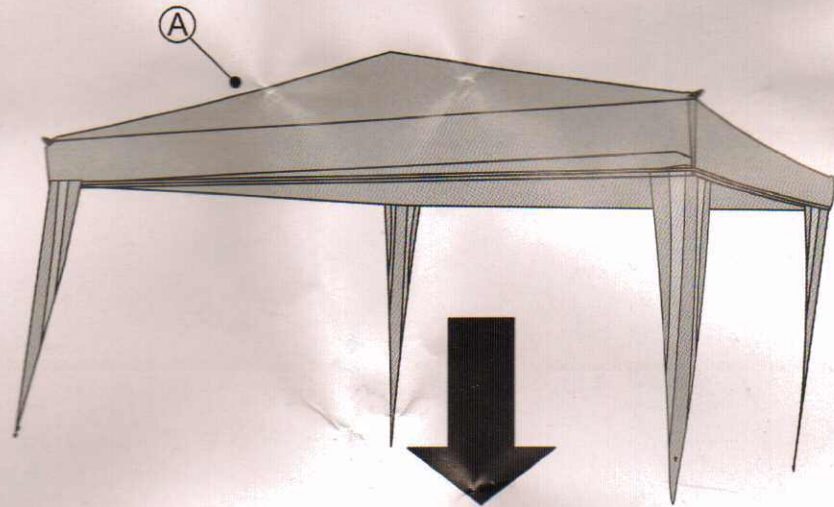
NOTE: It would be useful to ask someone to help you at this step.



Step 6

Carefully place the Gazebo Cover ① over the assembled roof. Then pull the Gazebo tightly over the assembled roof frame. See fig. 6.

NOTE: It would be useful to ask someone to help you at this step.



Assembly Instructions

Stage 5 - Fitting the Guy Ropes

Step 9

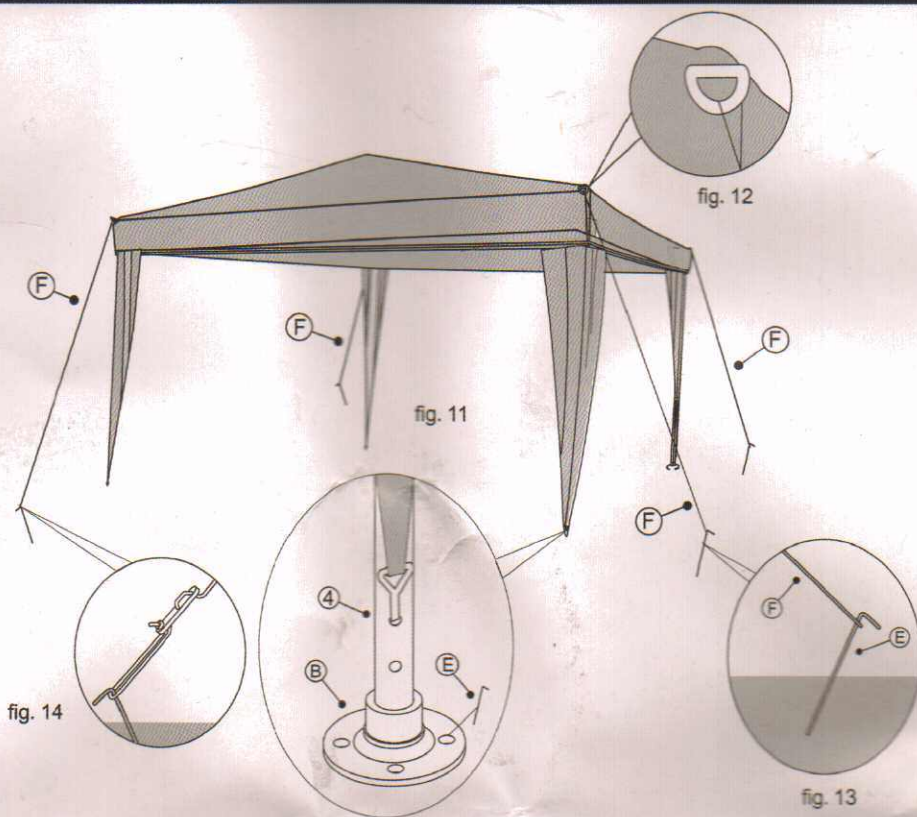
Attach the end of the Guy Rope **F** to the corner of the top cover ring on the Gazebo. Then attach one end to the Peg and drive the Peg into the ground. See fig 11, 12 & 13.

Use the Same method as fig 14 to fix the other Guy Ropes.

The length of Guy Ropes can be adjusted. See fig 14.

NOTE: The pegs are for location purposes only. They will not support the unit in high winds, see above instructions.

NOTE: It would be useful to ask someone to help you at this step.

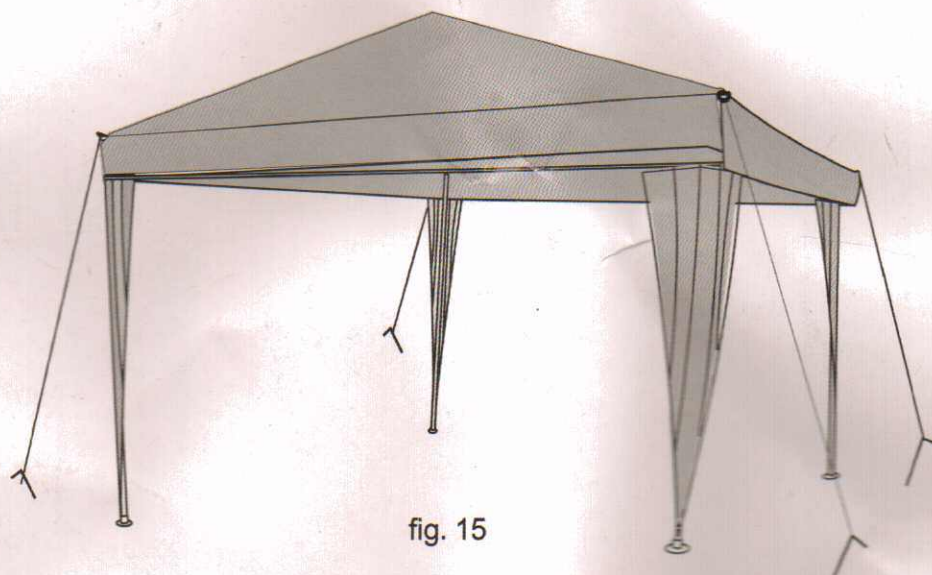


Stage 6 - Finishing the Unit

Step 10

CAUTION: Do not assemble or disassemble during strong winds.

Assemble is complete.



IMPORTANT:

Always use this product with caution and read the important safety instructions.

If you need help or have damaged or missing parts, call the Customer Helpline: 08450 778 888
Retailer: Home base
Address: 489-499 Avebury Boulevard Saxon Gate West Central Milton Keynes Bucks, MK9 2NW