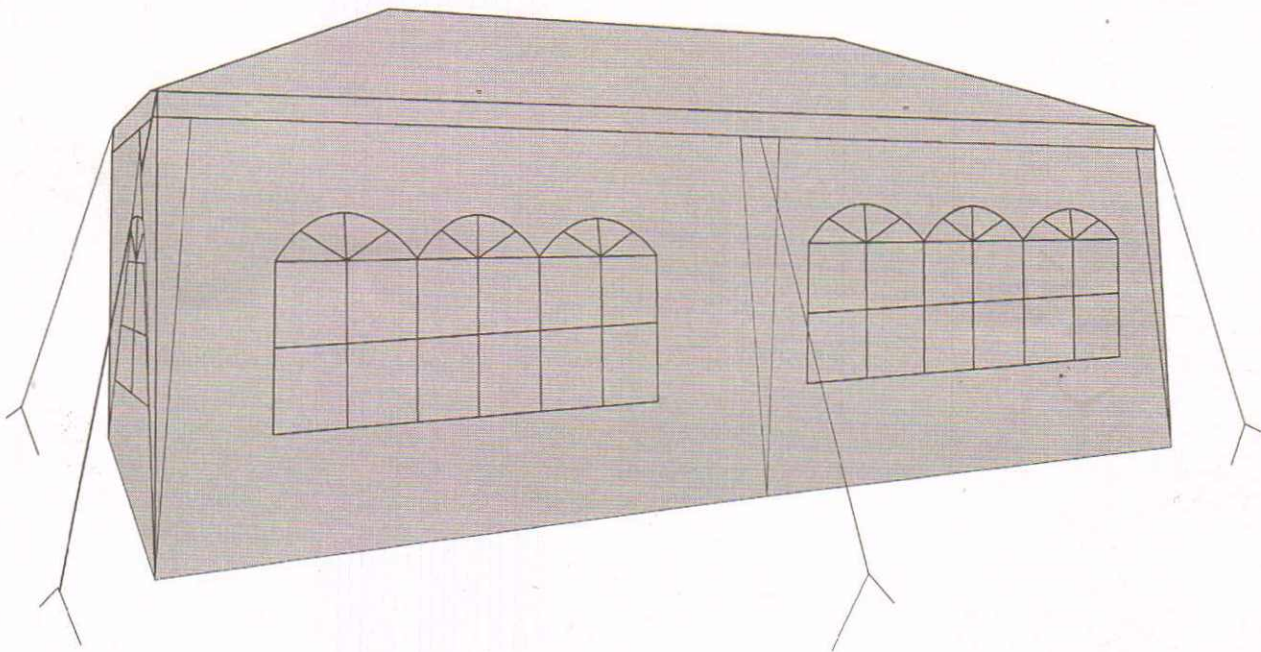


# Waterproof 6x3M Gazebo With Side Panels

Simple Assembly Instructions - Please keep for future reference

650/8850



## Dimensions

Width - 300cm  
Depth - 600cm  
Height - 260cm

**Important - Please read these instructions fully before starting assembly**

If you need help or have damaged or missing parts, call the Customer Helpline: 08456 400 800



## IMPORTANT SAFETY INSTRUCTIONS

Read all instruction before using and keep for future reference

- Read these instructions carefully and familiarise yourself with the procedure before assembling the unit.
- Check that you have all the component parts following the list on the page 3 and familiarise yourself with each part before proceeding.
- Take all the fittings out of the plastic bag and separate them into their groups.
- Ensure you have enough space to lay out all the parts before assembly.
- To avoid scratching it is recommended that you assemble the unit on a soft level surface.
- Please keep children away when assembly. Please keep children under direct supervision of adult when using.
- **Please do not use the gazebo under windy condition.**
- Always use guy rope and pegs to secure the gazebo when using.
- This Gazebo is waterproof.
- This Gazebo is not a permanent structure and should be disassembled and stored away after using.
- Do not repack your Gazebo until completely dry.
- We recommend assembly by two persons under light or no wind conditions.
- This Gazebo must not be left erect in windy conditions.
- Keep the Gazebo Fabric away from screws, nails, staples, hooks, etc to avoid damage to the fabric and frame.



## CAUTION

### Fire Precautions

- Do not place the Gazebo near lights, fireplaces, gas or electric heaters, candles, radiators, or any other sources of heat, fire or flammable liquids.
- This Gazebo features a Fabric cover that is not flame retardant.
- we recommend caution and common sense when in use.
- This Gazebo can burning.
- Do not use naked flames in or around the Gazebo. We recommend you advise no smoking while inside.
- This Gazebo has no flame retardant cooking area and should not be use to house BBQs or other cooking methods.

### Safety

- To avoid any risks of suffocation to animals or children dispose of the plastic bags immediately.

### Cleaning

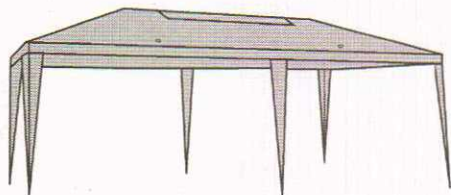
- As with all surfaces clean with a damp cloth and mild detergent, do not use bleach or abrasive products.

# Components-Parts

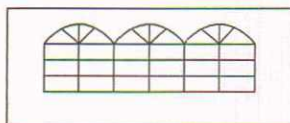
If you have damaged or missing components, call the customer Helpline: 08456 400 800

Please check you have all the parts listed below

**A** 1xGazebo Cover



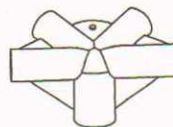
**B** 6xpanel w/window



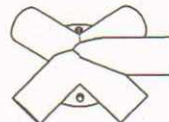
**C** 6xBase Plate



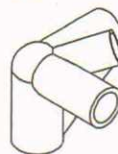
**D** 2xCentre Connector



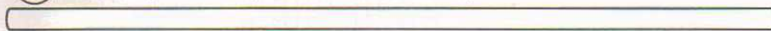
**E** 2xMiddle Joint



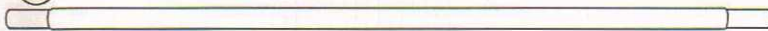
**F** 4xCorner Joint



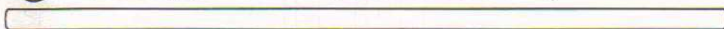
① 4 x Top Pole (Φ25x1080mm)



①A 12 x Top Pole (Φ25x1080mm)



② 14 x Support Pole (Φ25x1000mm)



②A 6 x Support Pole (Φ25x1000mm)



②B 1 x Supplemental Pole (Φ25x1018mm)



③A 6 x Leg Pole (Φ32x1060mm)



④ 6 x Leg Pole (Φ19x1000mm)



# Components - Fittings

Please check you have all the fittings listed below

Note: The quantities below are the correct amount to complete the assembly. In some cases more fittings may be supplied than are required.

**G** 12xPeg



**H** 6xGuy Rope



**I** 36xCurtain Ring



# Assembly Instructions

## Stage 1 - Fitting the Support Poles

### Step 1

Insert Support Poles 2A into the Support Poles 2. Ensure all the poles are fully inserted and secure. See fig. 1.

**IMPORTANT:** Because of the size of this unit we recommend that it is built in the place intended for using

**NOTE:** Locate the unit on the flat Ground free from obstruction, in a sheltered area away from wind and heavy rain as this will damage the unit.

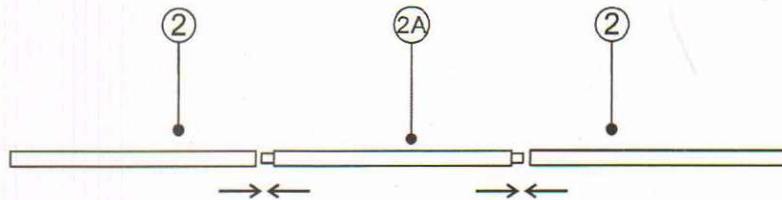


fig. 1

### Step 2

Use Corner Joints F together with Middle Joint D to connect the Support Poles. Ensure all the poles are fully inserted and secure. See fig 2.

**NOTE:** It would be useful to ask someone to help you at this step.

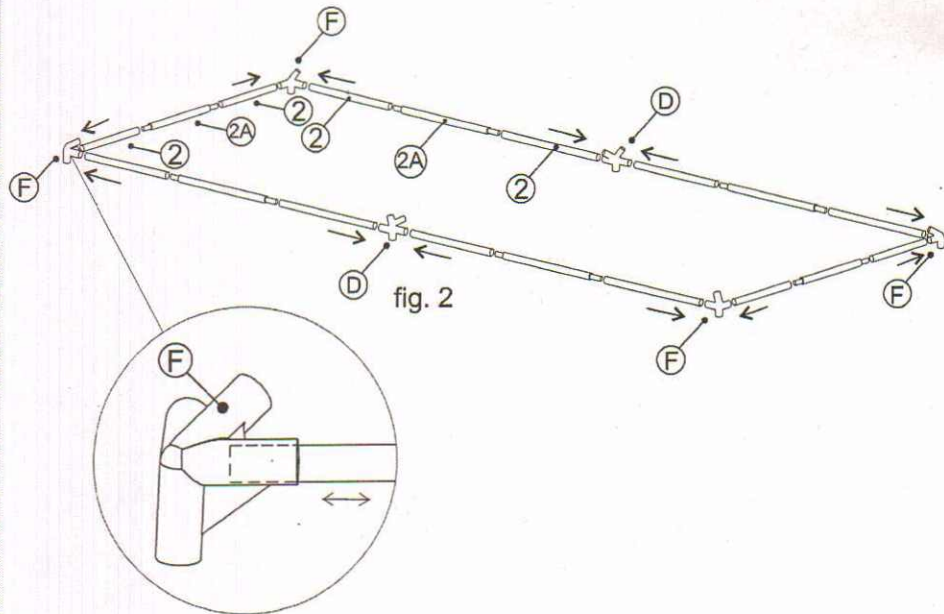


fig. 2

# Assembly Instructions

## Stage 2 - Fitting the Top Poles

### Step 3

Insert Top Poles **1A** into the Top Poles **1**. Meanwhile insert Top Poles **1A** into the Top Poles **1A**. Ensure all the poles are fully inserted and secure. See fig 3A&3B.

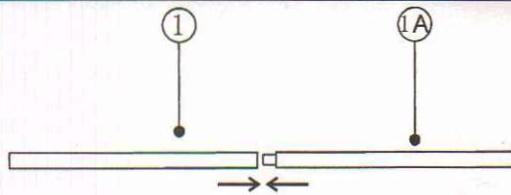


fig.3A

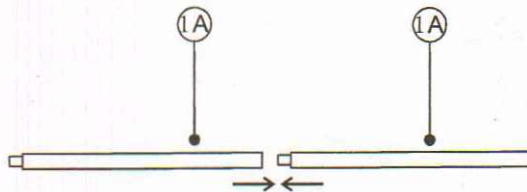


fig.3B

### Step 4

Insert Supplemental Pole **2B** into the Support Poles **2**. Ensure the 3 poles are fully connected and secure. See fig 4.

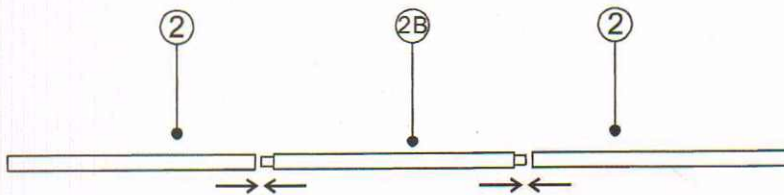


fig.4

### Step 5

Connect the Centre Connector **E** to Corner Joint **F** and Middle Joint **D** by Top Poles of fig 3. See fig 5.

Link the two Centre Connector **E** together by connected poles by fig 4. See fig 5.

NOTE: It would be useful to ask someone to help you at this step.

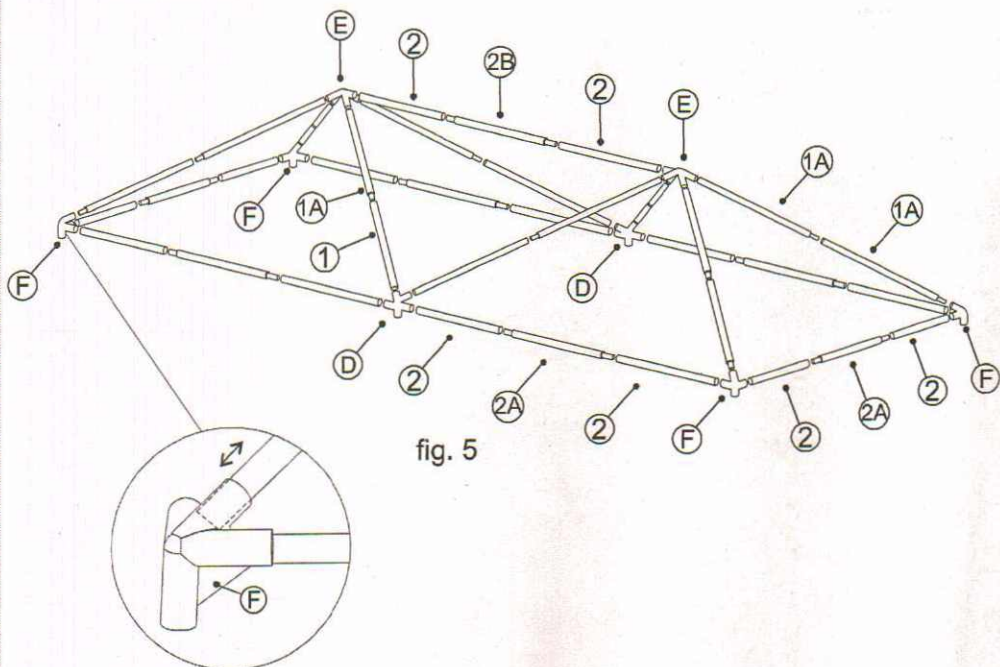


fig. 5

# Assembly Instructions

## Stage 3 - Fitting the Gazebo

### Step 6

Insert Leg Poles ③ into the unit. Ensure all the poles are fully inserted and secure. See fig 6.

NOTE: It would be useful to ask someone to help you at this step.

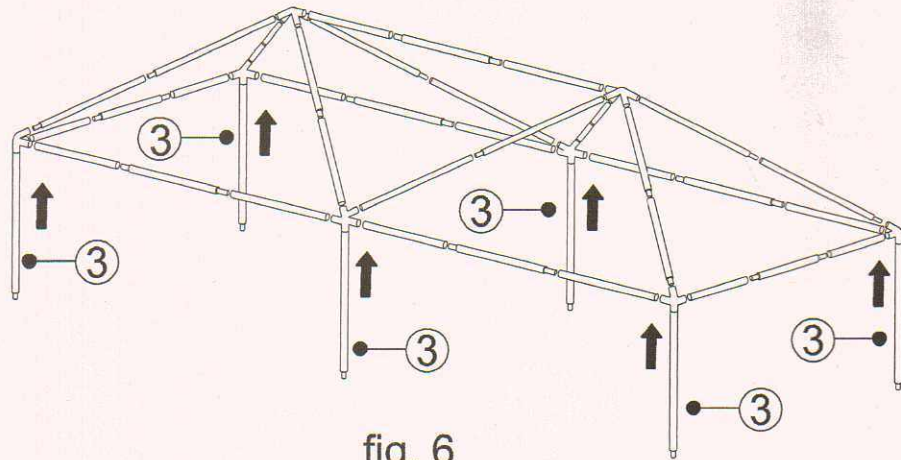


fig. 6

### Step 7

Carefully place the Gazebo Cover (A) over the assembled roof. Then pull the Gazebo tightly over the assembled roof frame. See fig 7.

NOTE: It would be useful to ask someone to help you at this step.

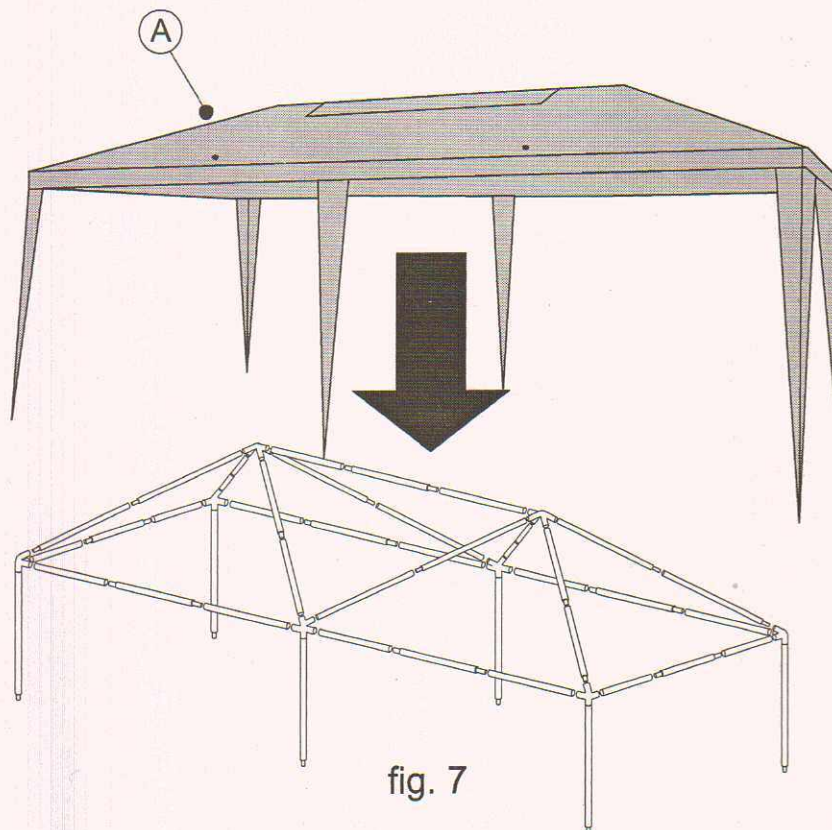


fig. 7

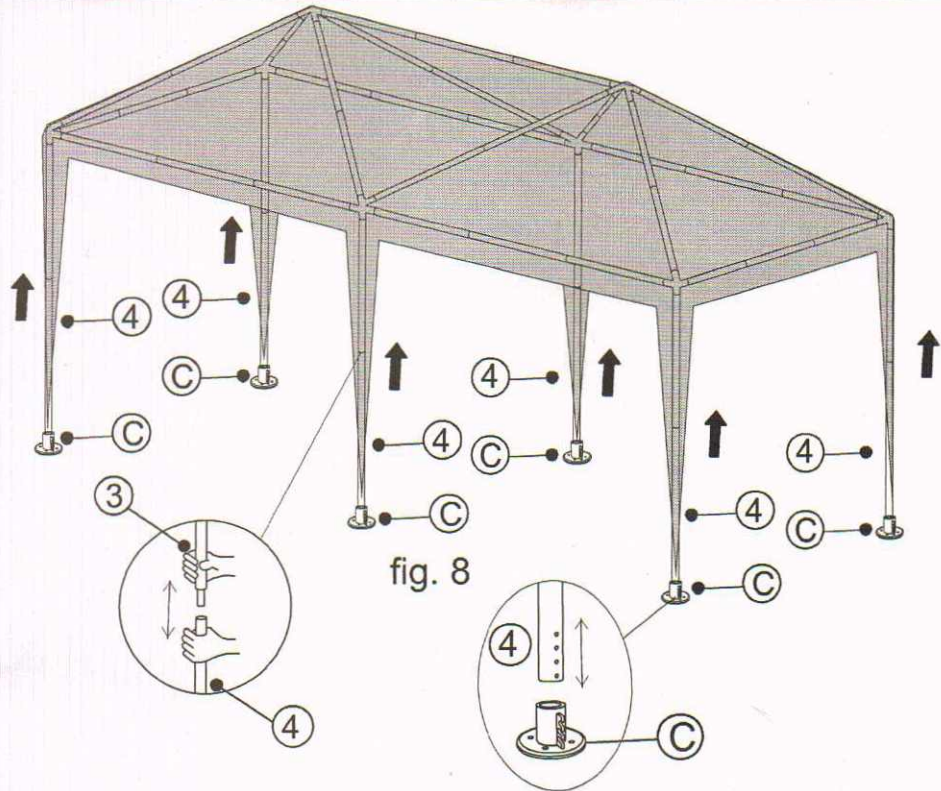
# Assembly Instructions

## Stage 4 - Fitting the Legs

### Step 8

Insert the Base Plates **C** into the Leg Poles **4**. Then insert the Leg Poles **4** into the unit. Ensure all the poles are fully inserted and secure. See fig 8.

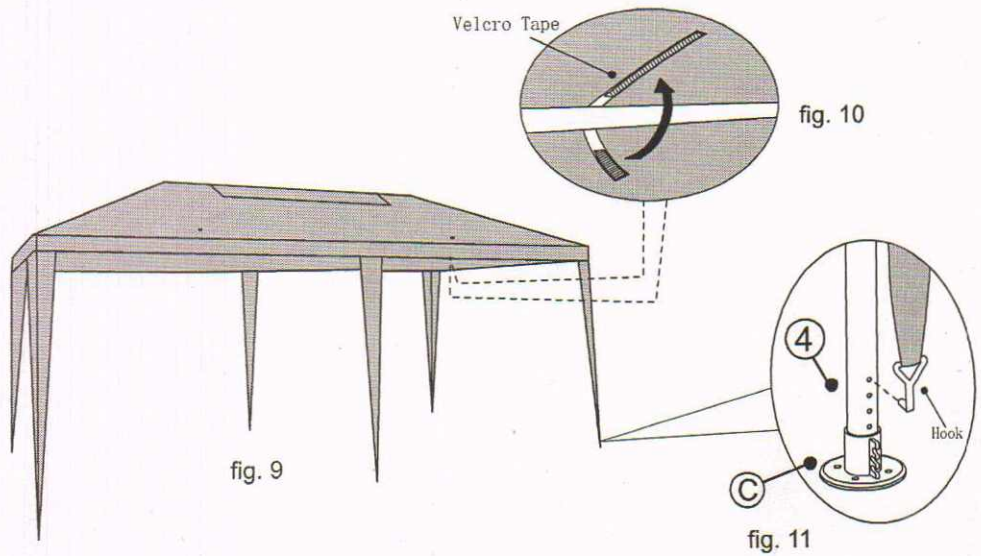
NOTE: It would be useful to ask someone to help you at this step.



### Step 9

Use the Velcro Tapes inside the Gazebo Cover to fix it onto the assembled Frame. See fig 9 & 10.

Attach the Gazebo Cover's Hooks into holes on the Leg Poles **4**. Tighten by moving the Hook to a lower hole. See fig. 11.



# Assembly Instructions

## Stage 5 - Fitting the Guy Ropes

### Step 10

Attached the D ring onto the Base Plates **C**. Then use Pegs **G** to fix the Base Plates **C** into the ground. See fig 12&14.

Attach the end of the Guy Rope **H** to the corner of the top cover ring on the Gazebo. Then attach one end to the Peg **G** and drive the Peg into the ground. See fig 12, 13 & 15.

Use the Same method as in fig. 12 to fix the other Guy Ropes.

The length of Guy Ropes can be adjusted. See fig 16.

**NOTE:** The pegs are for location purposes only. They will not support the unit in high winds, see above instructions.

**NOTE:** It would be useful to ask someone to help you at this step.

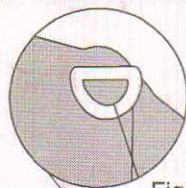


Fig. 13

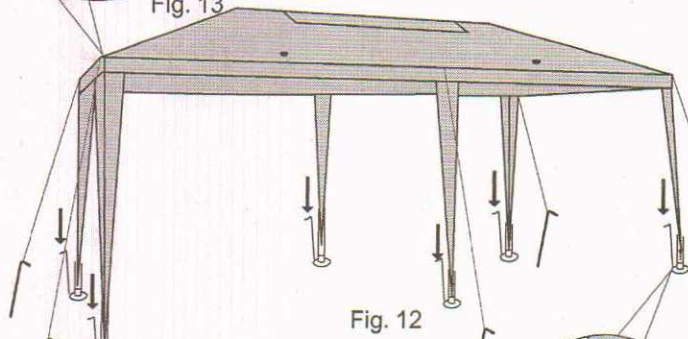


Fig. 12

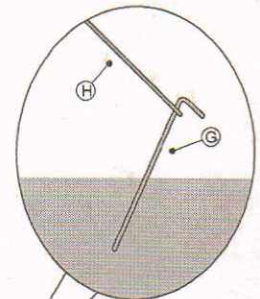


Fig. 15

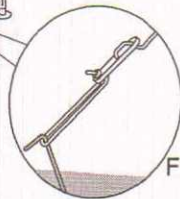


Fig. 16

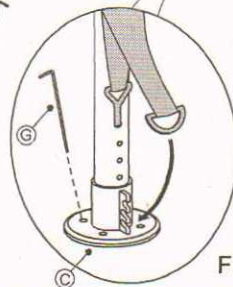


Fig. 14

## Stage 6 - Finishing the Unit

### Step 11

**CAUTION:** Do not assemble or disassemble during strong winds.

Hang on all 6 pcs Panels **B** at the top using the Curtain Ring **I**, velcro tapes at side of panels can be fastened to the Gazebo legs, Side Panels can be taken off separately. See fig 18, 19 & 20.

Drainage holes prevent rain water collecting. See fig 17.

Assemble is complete.



Fig. 17

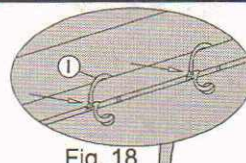


Fig. 18

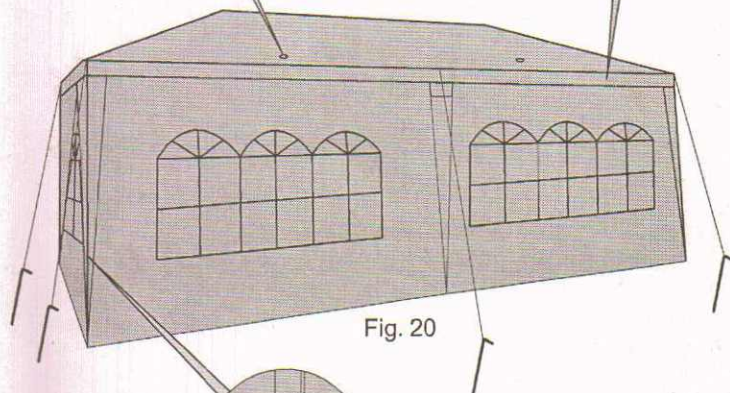


Fig. 20

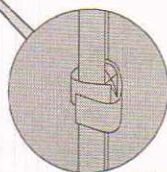


Fig. 19

### **! IMPORTANT:**

Always use this product with caution and read the important safety instructions.

If you need help or have damaged or missing parts, call the Customer Helpline: 08456 400 800  
Retailer: Homebase  
Address: 489-499 Avebury Boulevard Saxon Gate West Central Milton Keynes Bucks, MK9 2NW